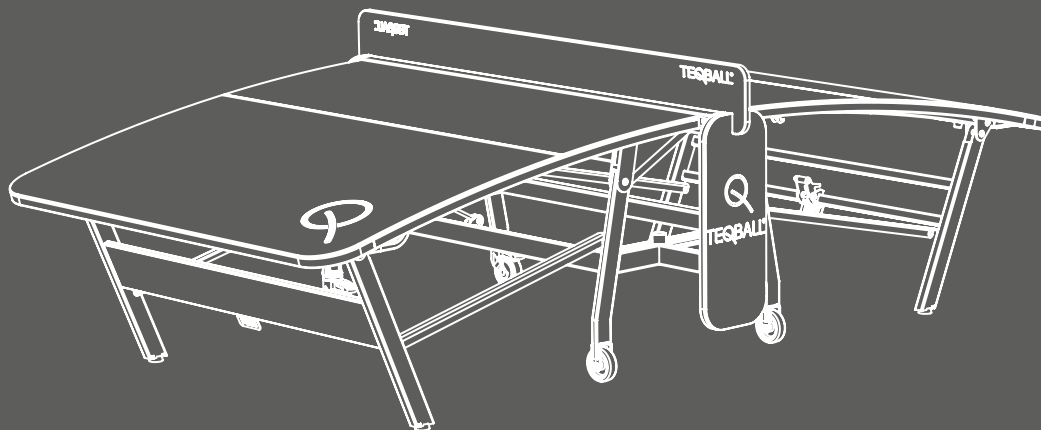


TEQBALL®
ARE YOU TEQ?

SMART

indoor / outdoor



ASSEMBLY INSTRUCTIONS

 **Table-Tennis-Tables**.co.uk

GENERAL

Thank you for choosing the Teqball Smart table. We would like to give you some advice for the assembly. Please read and follow these instructions carefully.

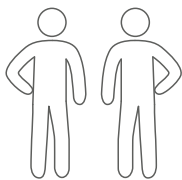
SAFETY NOTICE

- 🔍 Any person handling or using the Teqball Smart table must follow the instructions as described in this document. The person in charge of assembling and using the Teqball Smart table must ensure that the recommendations for use given in this document and in the Owner's Manual of the Teqball Smart table are seen by all users. In communal use, it is strongly recommended that the instructions and diagrams are displayed.
- 🔍 Only use the Teqball Smart table after it has been fully assembled and after checking that the fasteners are tightened properly and the wheels, gas springs and the safety locks, work properly. Later, depending on frequency of use (but at least twice a month) check all fasteners, wheels, gas springs and the safety locks regularly to ensure that their condition is good. The fasteners are coated with adhesive which is inactive until the coated fasteners are used. During assembly the adhesive is activated. The adhesive can prevent the self-loosening of fasteners, but the effect of the adhesive decreases with every assembly. Please do not remove the adhesive from the fasteners.
- 🔍 Assembly must be carried out at least by two adults during all stages.

ASSEMBLY

The Teqball Smart table must be assembled by at least two adults following the numerical order of the assembly instructions. Before assembling, please check that all the proper parts are contained in the packages. The indicated quantities of parts make it possible to go through the assembly stages. Use the tools recommended on page 5.

IMPORTANT: Assembly should be carried out on clean, dry, level surface. Please ensure there is nothing on the floor that could scratch the tabletop. During the assembly put the packages to the ground and hold the parts above them to prevent the damage that is caused by falling or impact. During assembly remove the protection foil from the PMMA net and from the surface of the HPL.



ASSEMBLY REQUIRES
AT LEAST 2 ADULTS!

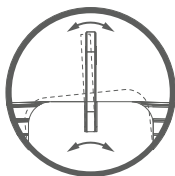


KEEP THE TABLE HORIZONTAL



FOR UNPACKING

ASSEMBLY TIPS



IF STUCK, TRY MOVING
THE PARTS GENTLY!

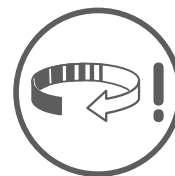


AS A FIRST STEP, PUT THE
POLYMER BUSHES INTO THE HOLES.

TIGHTENING



TIGHTEN COMPLETELY



STOP HALFWAY

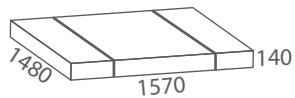


BE CAREFUL TO AVOID INJURIES!

PACKAGE

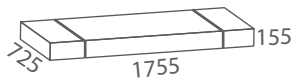
2x  **44 kg**

(BOX 3/4 & 4/4)



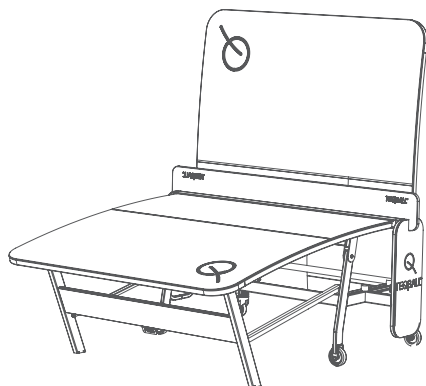
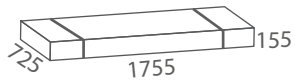
1x  **43 kg**

(BOX 2/4)



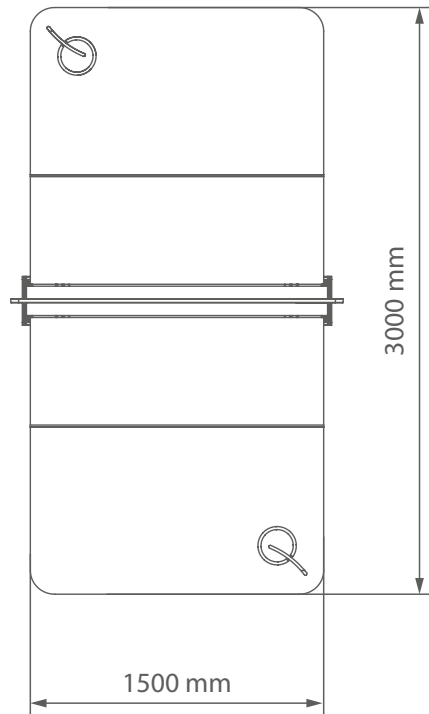
1x  **54 kg**

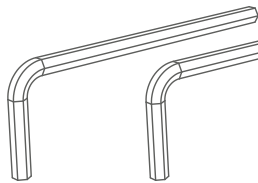
(BOX 1/4)



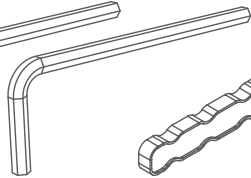
 **148 kg**

PLAYING SURFACE

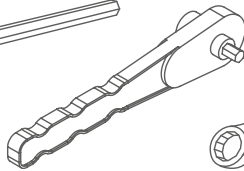




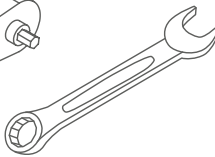
∅6



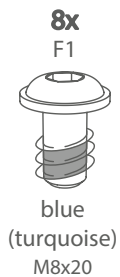
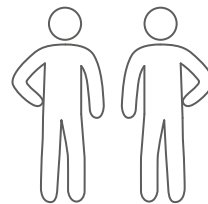
∅5



∅5



∅13

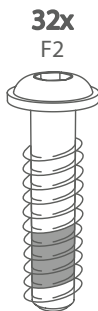


8x

F1

blue

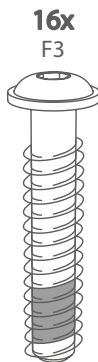
(turquoise)
M8x20



32x

F2

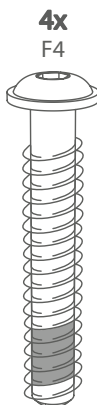
yellow
M8x40



16x

F3

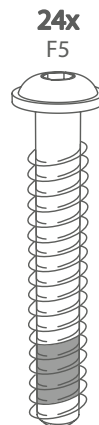
purple
M8x45



4x

F4

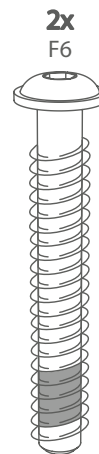
green
M8x50



24x

F5

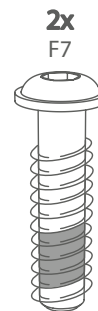
blue
(turquoise)
M8x55



2x

F6

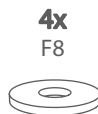
purple
M8x70



2x

F7

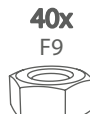
blue
(turquoise)
M10x40



4x

F8

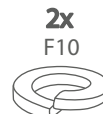
M8



40x

F9

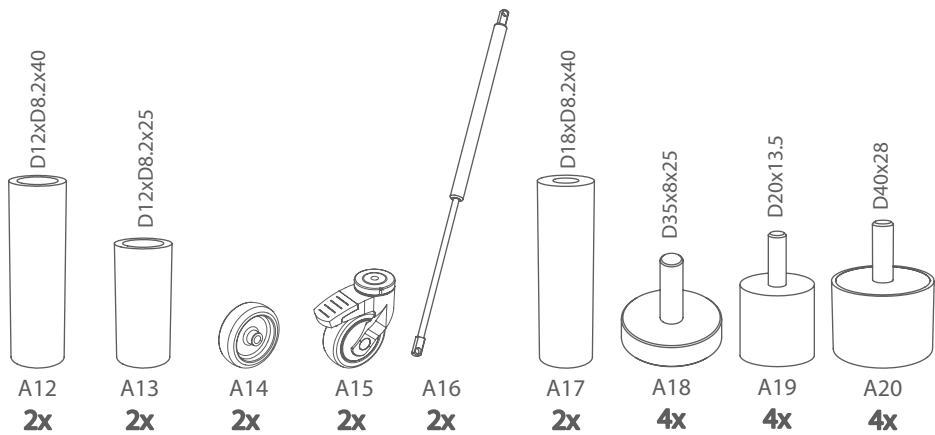
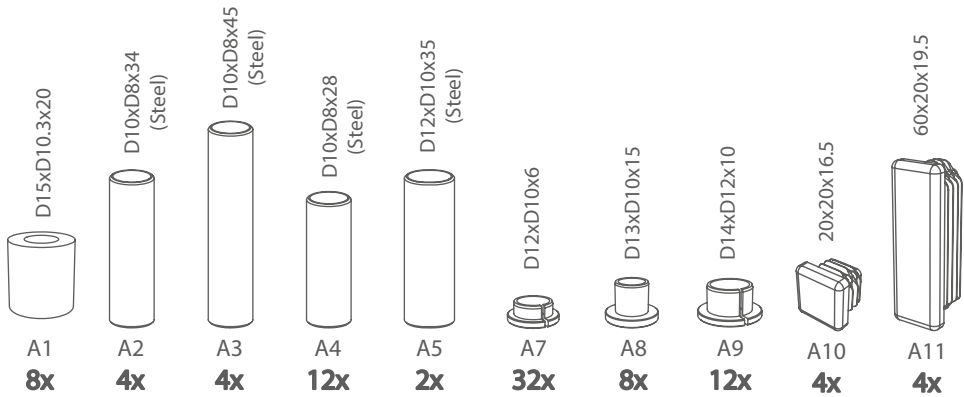
M8

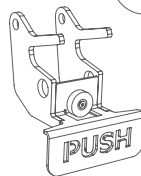
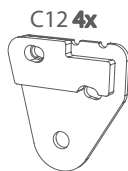
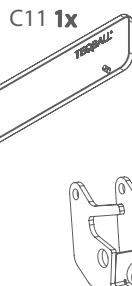
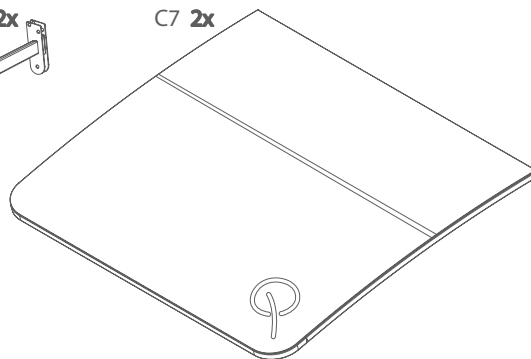
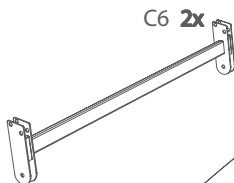
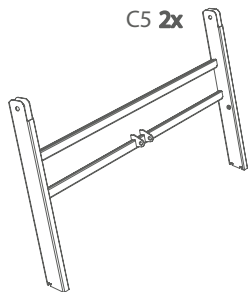
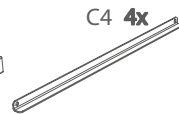
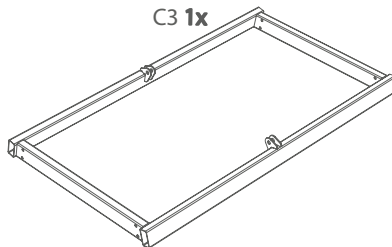
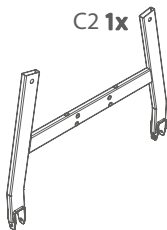
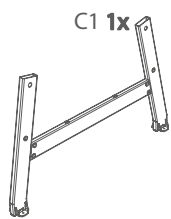


2x

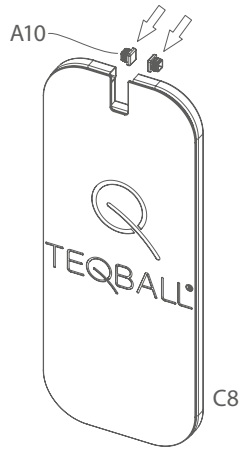
F10

D10



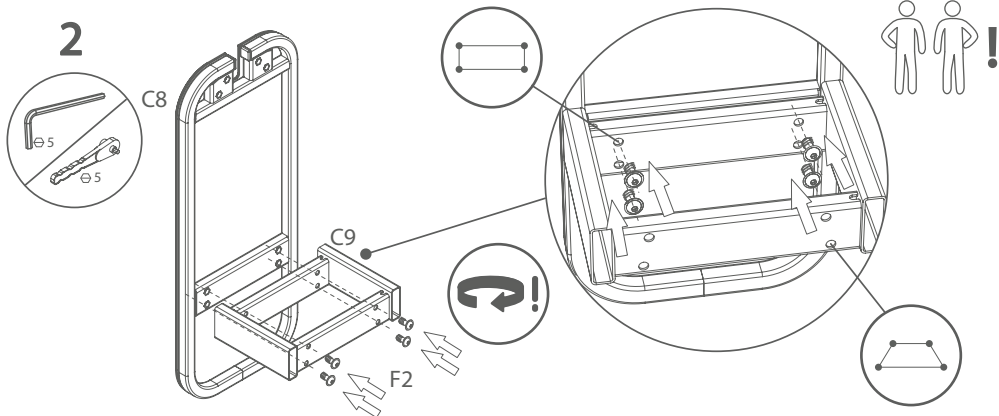


1



x2

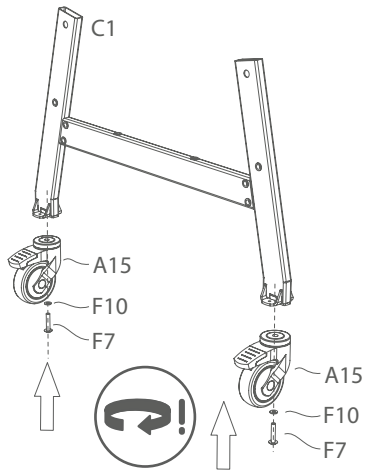
2



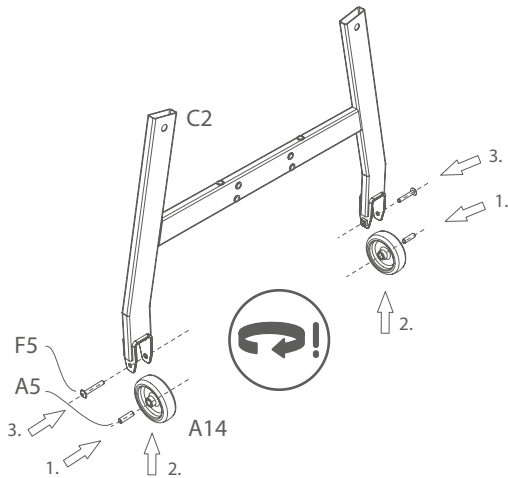
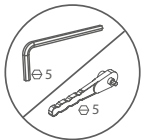
x2



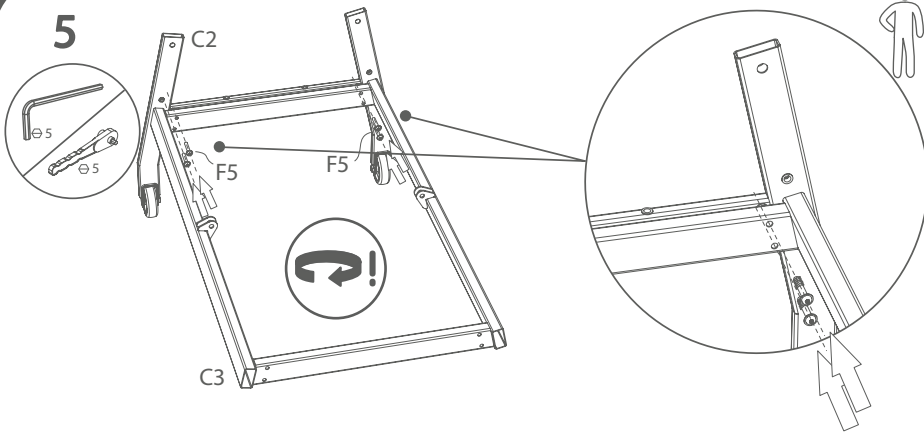
3



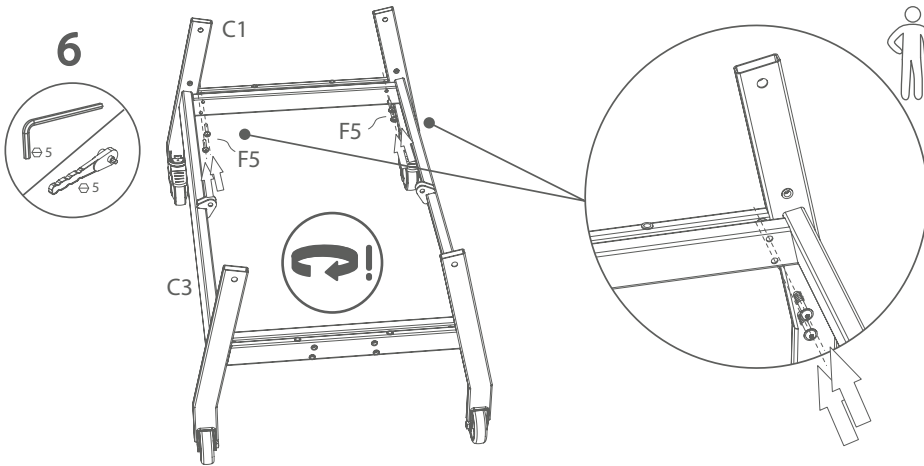
4



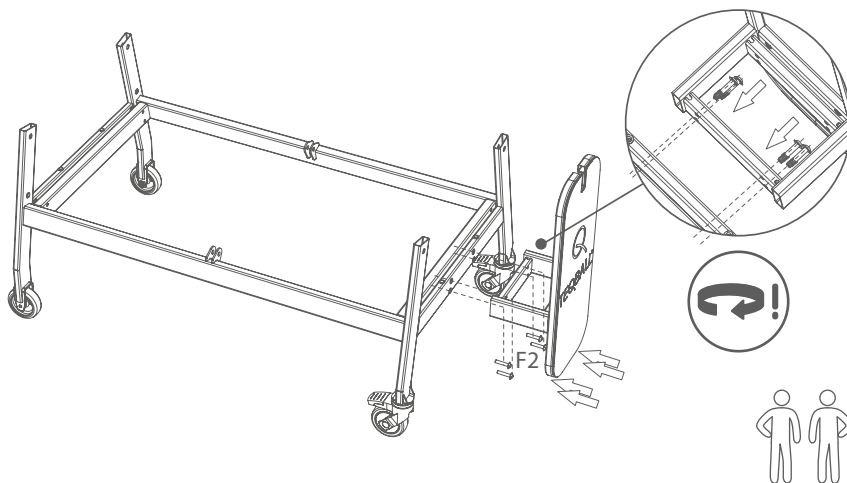
5



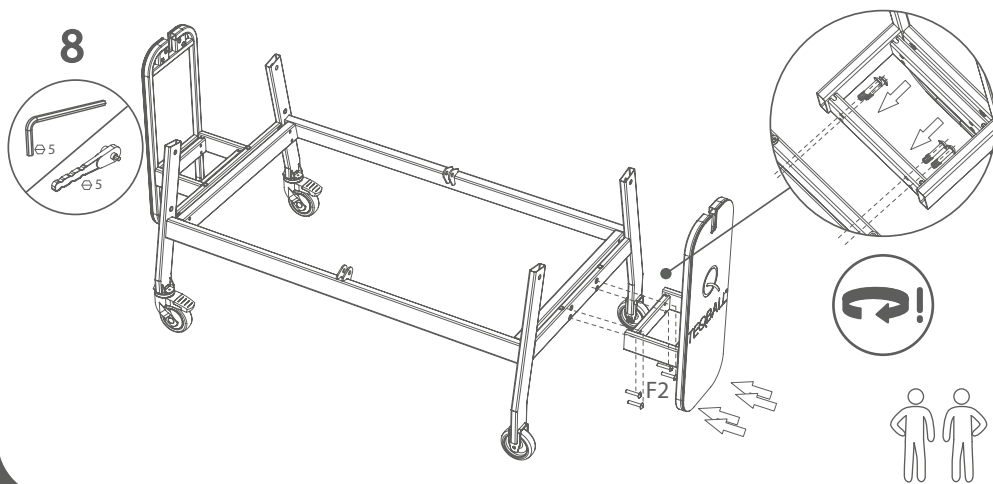
6



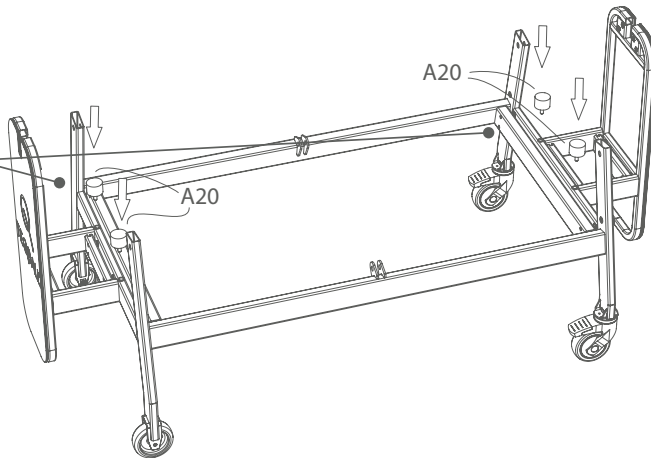
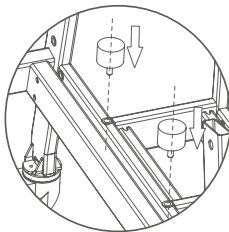
7



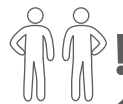
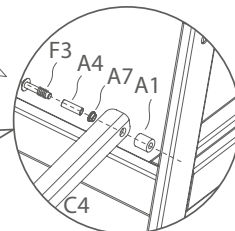
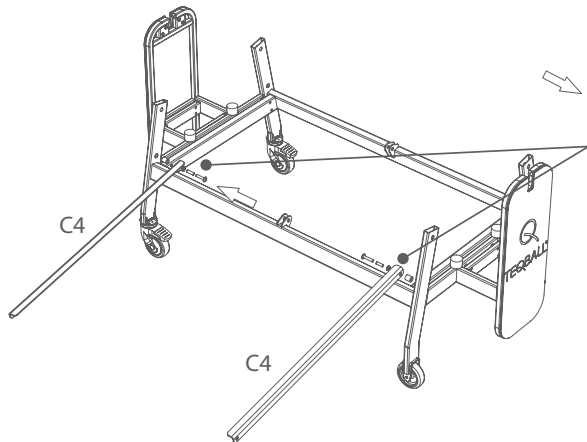
8



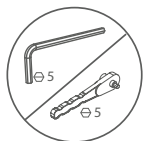
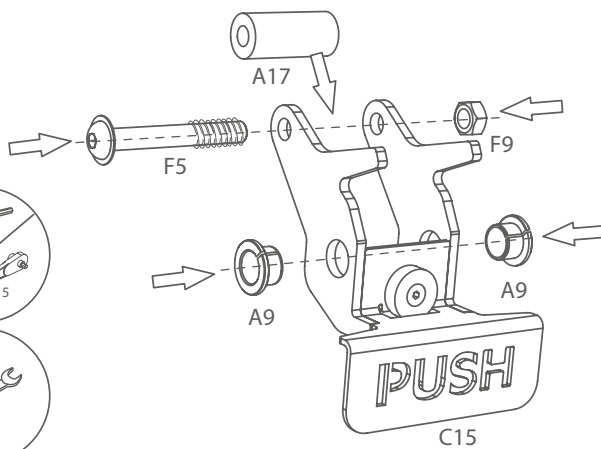
9



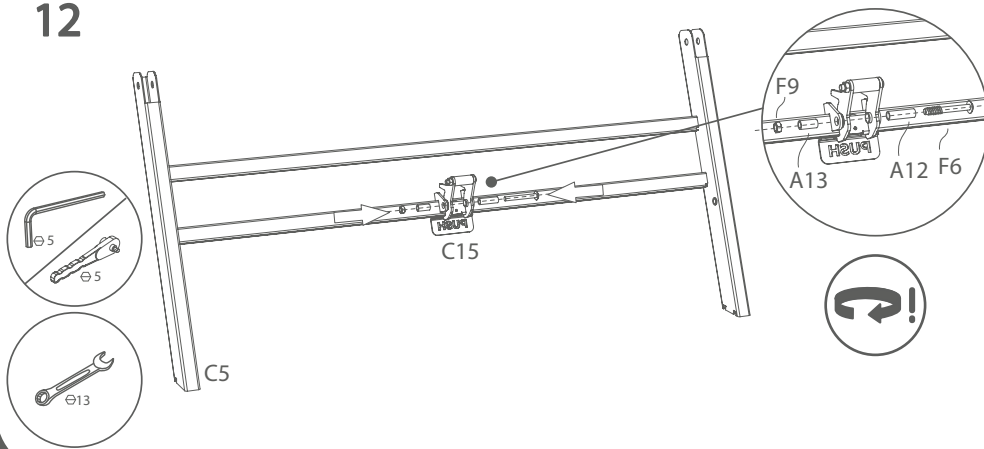
10



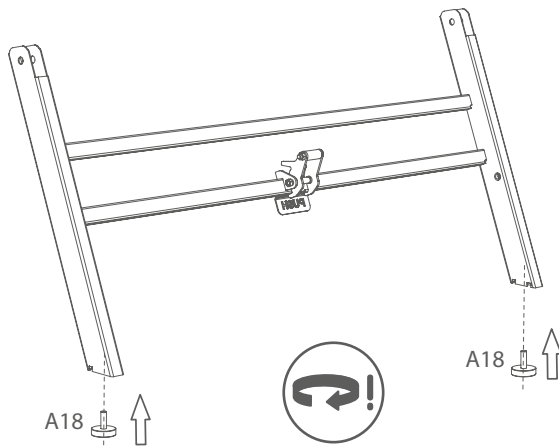
11



12

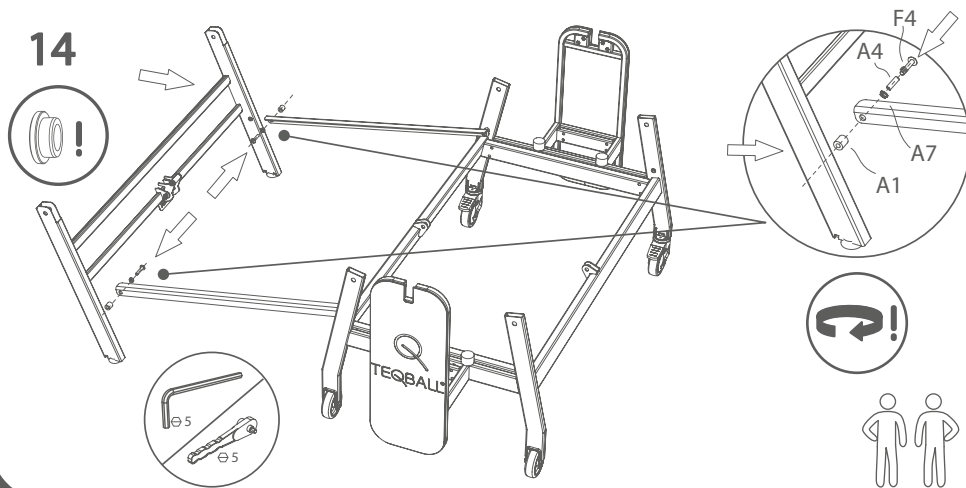


13

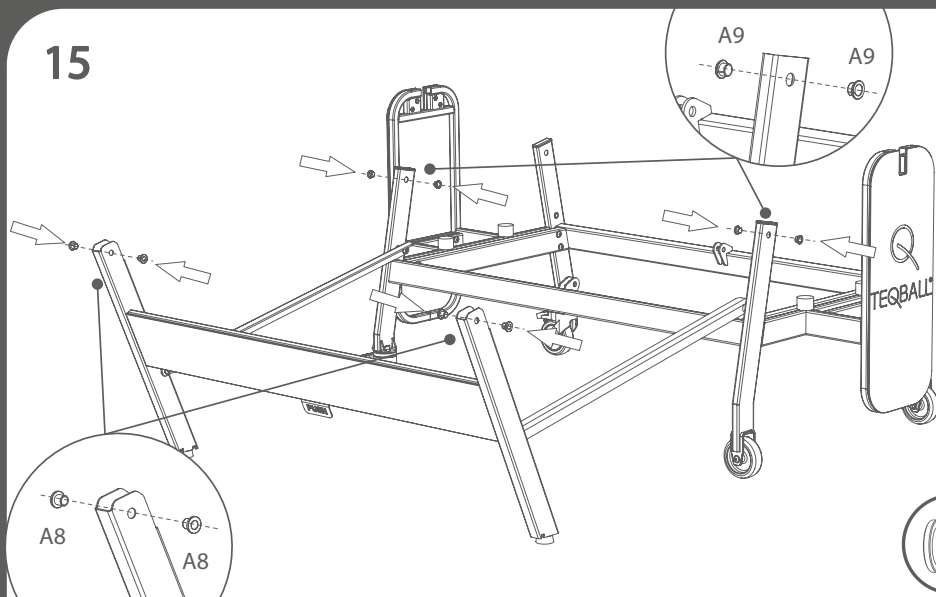


Adjustment range (A18): 0-15 mm

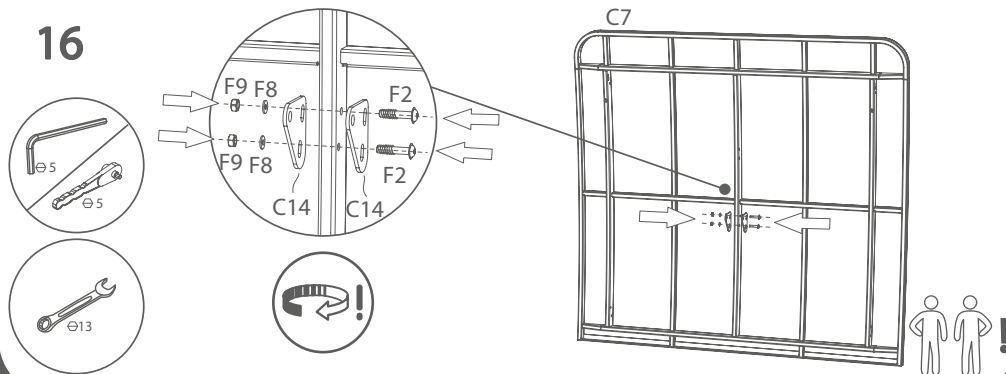
14



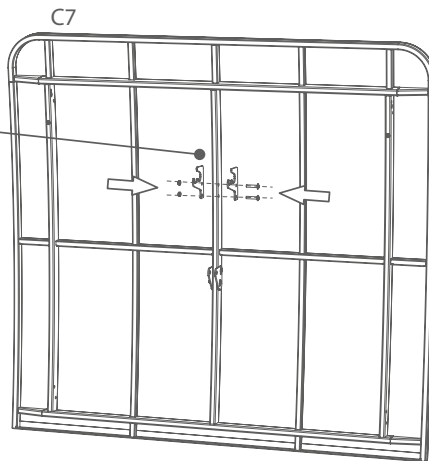
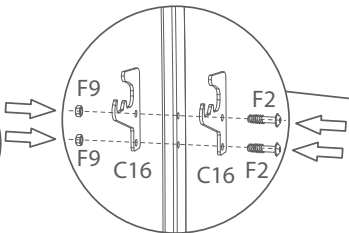
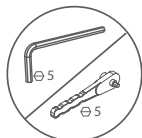
15



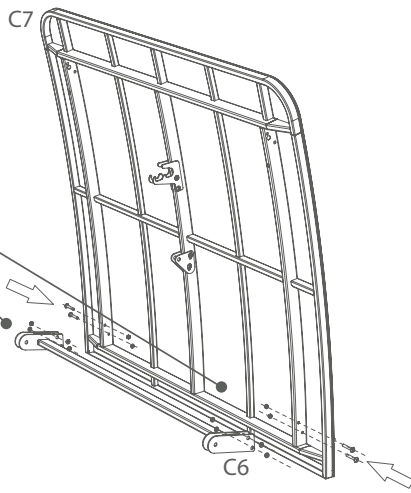
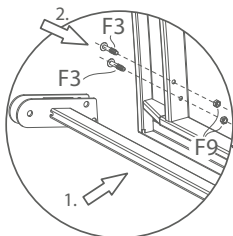
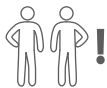
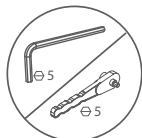
16



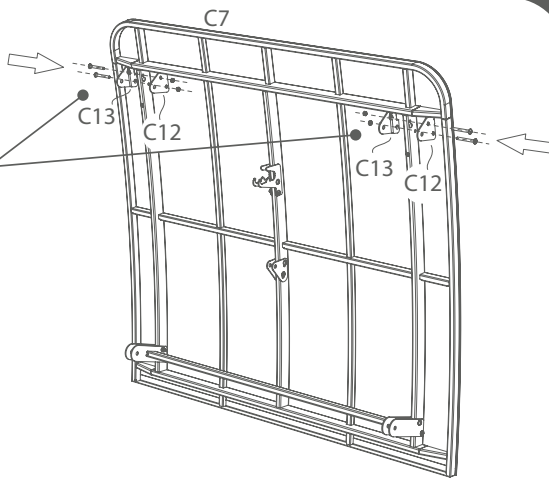
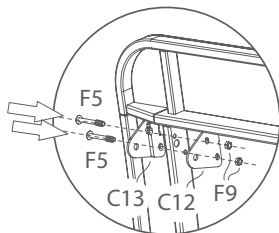
17



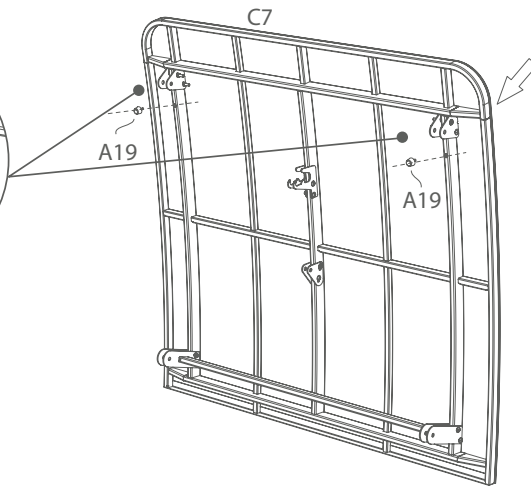
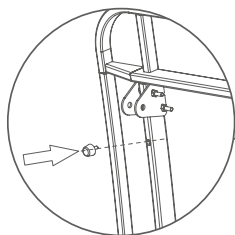
18



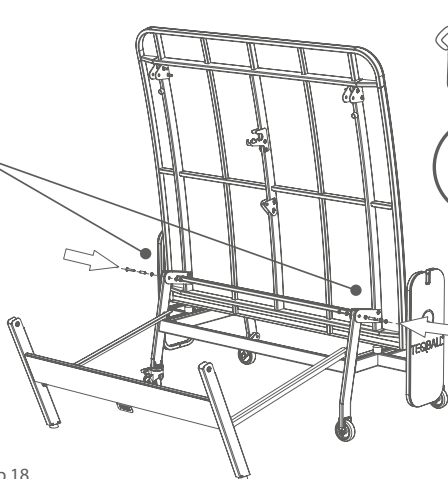
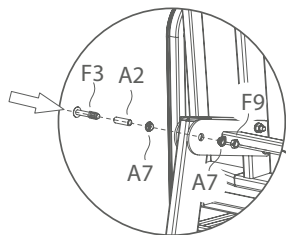
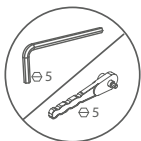
19



20

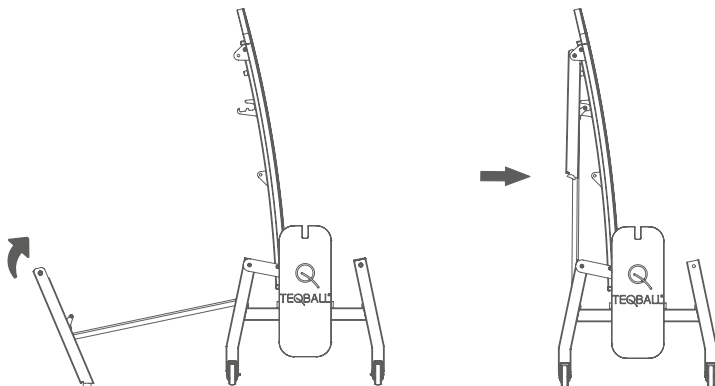


21

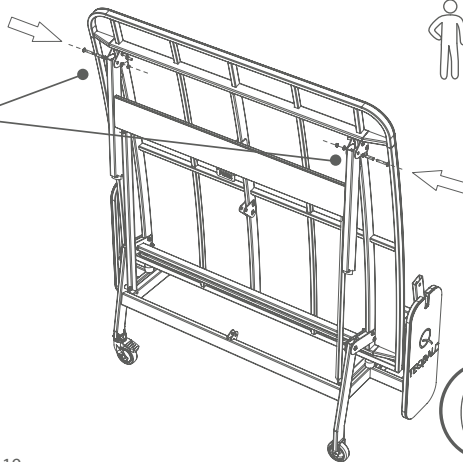
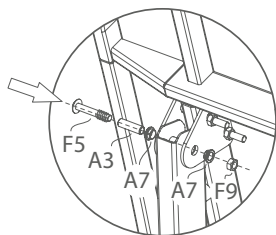
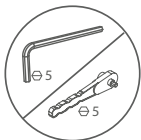


Finally, tighten completely the fasteners mentioned in step 18.

22

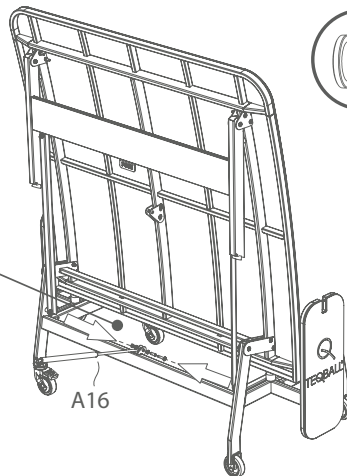
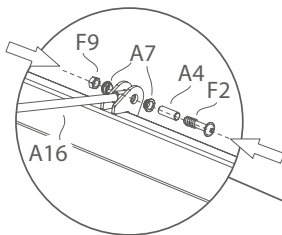
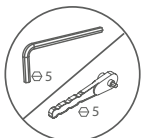


23

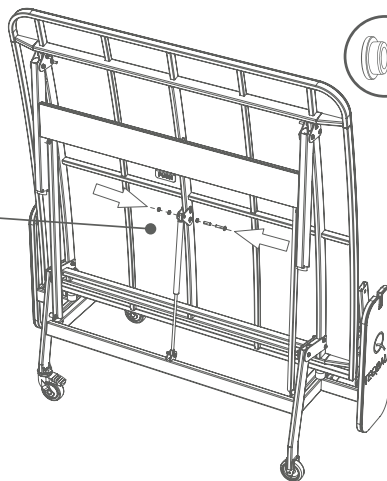
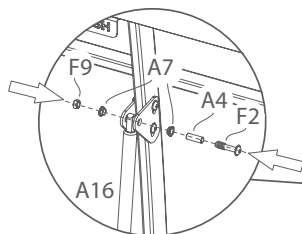
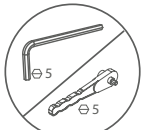


Finally, tighten completely the fasteners mentioned in step 19.

24



25

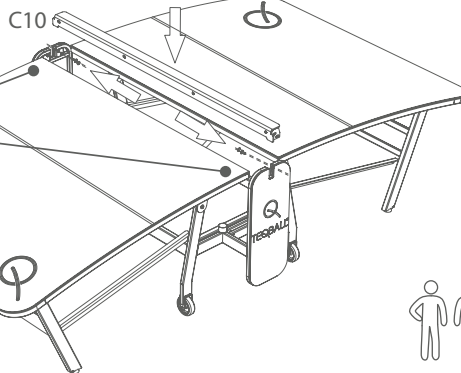
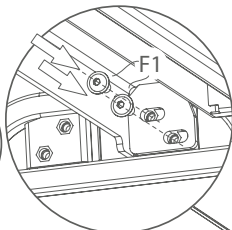
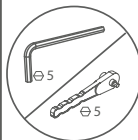


Finally, tighten completely the fasteners mentioned in step 16.

26

 PLEASE REPEAT THE STEPS FROM 10 TO 25 ON THE OTHER SIDE OF THE TABLE!

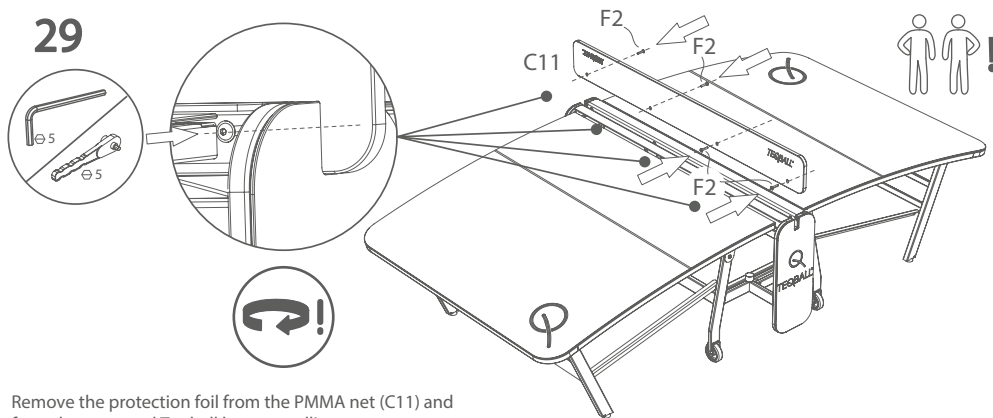
27



28

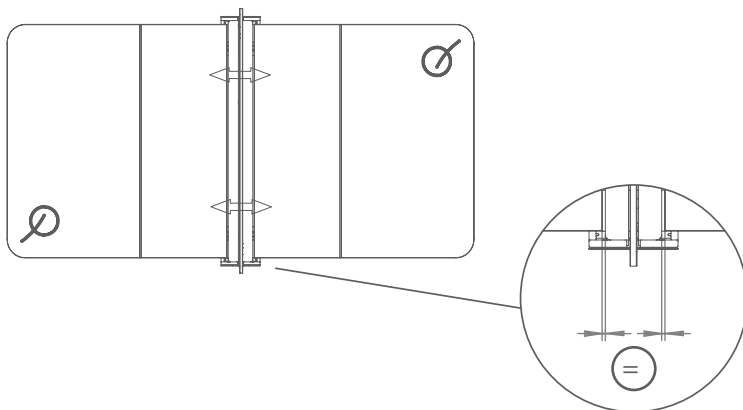
PLEASE REPEAT STEP 27 ON THE OTHER SIDE OF THE TABLE!

29



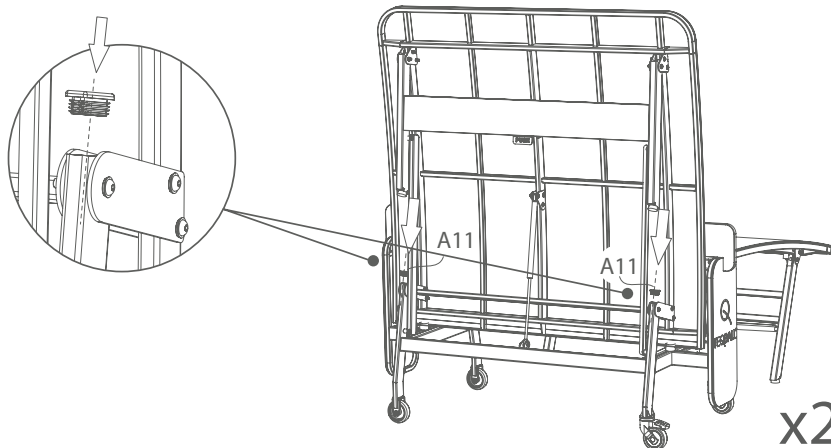
Remove the protection foil from the PMMA net (C11) and from the engraved Teqball logo as well!

30

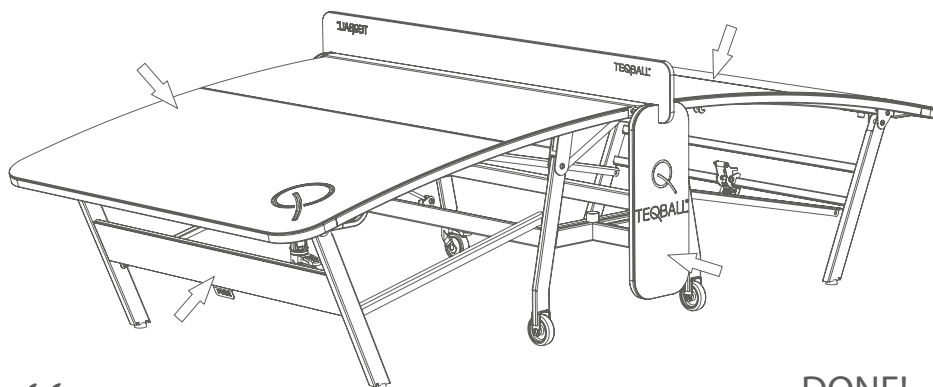


Finally, tighten completely the fasteners mentioned in step 27 and 28.

31



Remove the protection foil from the tabletops (C7), the sidewalls (C8) and the foldable legs (C5)!



CHECK ALL FASTENERS!

DONE!

PAPER



PLASTIC

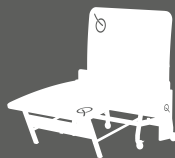


WOOD & TIMBER



PLEASE TAKE THE PACKAGING WASTE INTO THE APPROPRIATE WASTE BIN
AND HANDLE THE WOOD WASTE PROPERLY!

ENJOY TEQSPORTS!



TEQBALL[®]
ARE YOU TEQ?

Further information

www.teqball.com
info@teqball.com