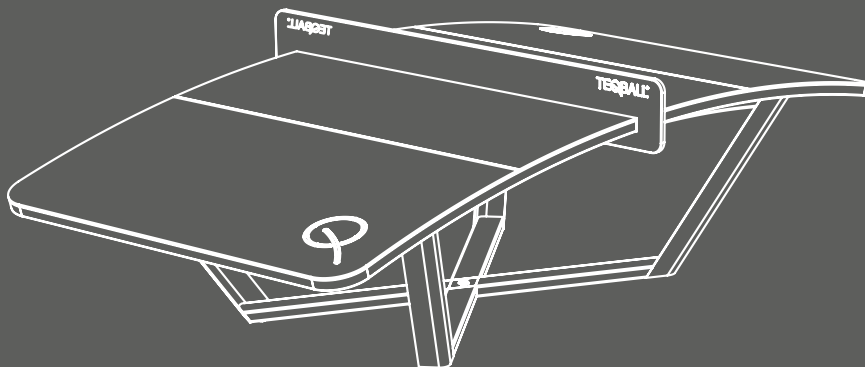


TEQBALL®  
ARE YOU TEQ?

# ONE

indoor / outdoor



ASSEMBLY INSTRUCTIONS

 **Table-Tennis-Tables**.co.uk

## GENERAL

Thank you for choosing the Teqball One table. We would like to give you some advice for the assembly. Please read and follow these instructions carefully.

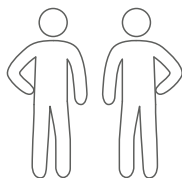
## SAFETY NOTICE

- 🔍 Any person handling or using the Teqball One table must follow the instructions as described in this document. The person in charge of assembling and using the Teqball One table must ensure that the recommendations for use given in this document and in the Owner's Manual of the Teqball One table are seen by all users. In communal use, it is strongly recommended that the instructions and diagrams are displayed.
- 🔍 Only use the Teqball One table after it has been fully assembled and after checking that the screws are tightened properly. Later, depending on frequency of use (but at least twice a month) check all screws regularly to ensure that their condition is good. The fasteners are coated with adhesive which is inactive until the coated fasteners are used. During assembly the adhesive is activated. The adhesive can prevent the self-loosening of fasteners, but the effect of the adhesive decreases with every assembly. Please do not remove the adhesive from the fasteners.
- 🔍 Assembly must be carried out at least by two adults during all stages.

## ASSEMBLY

The Teqball One table must be assembled by at least two adults following the numerical order of the assembly instructions. Before assembling, please check that all the proper parts are contained in the packages. The indicated quantities of parts make it possible to go through the assembly stages. Use the tools recommended on page 5.

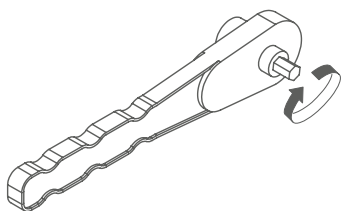
**IMPORTANT:** Assembly should be carried out on a clean, dry, level surface. Please ensure there is nothing on the floor that could scratch the tabletop. During the assembly put the packages to the ground and hold the parts above them to prevent the damage that is caused by falling or impact. During assembly remove the protection foil from the PMMA net and from the tabletop.



ASSEMBLY REQUIRES AT LEAST 2 ADULTS!



KEEP THE TABLE HORIZONTAL

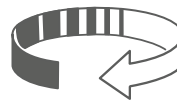


TIGHTENING TOOL

TIGHTENING



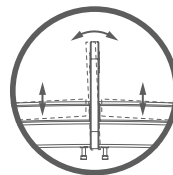
TIGHTEN COMPLETELY



STOP HALFWAY

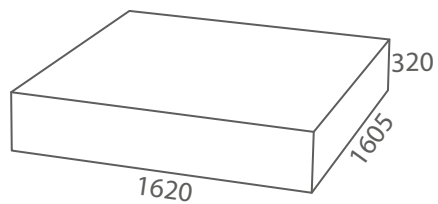


BE CAREFUL TO AVOID INJURIES!

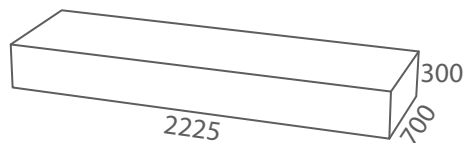


IF STUCK, TRY MOVING  
THE PARTS GENTLY!

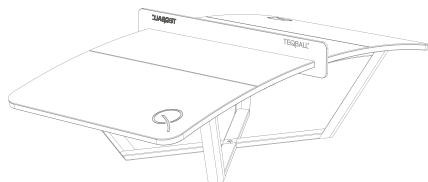
## PACKAGE



 118 kg

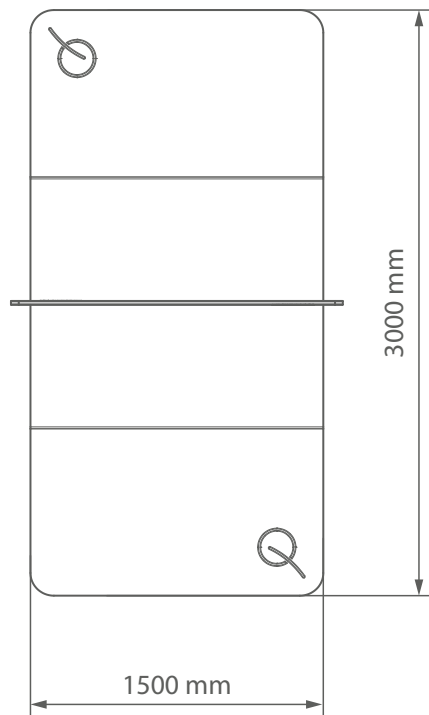


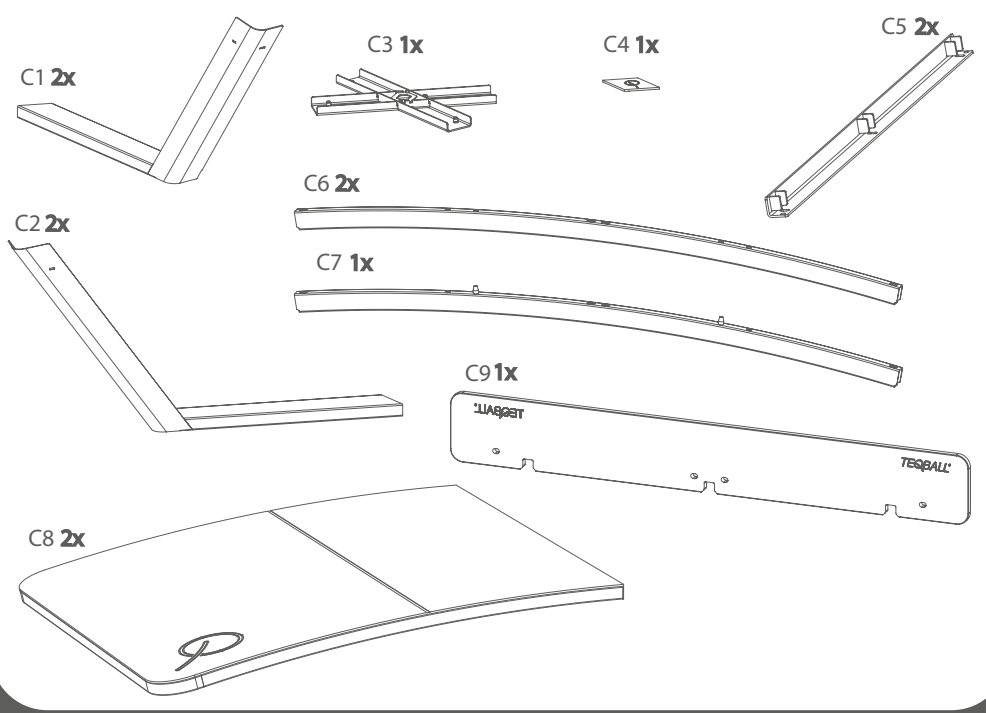
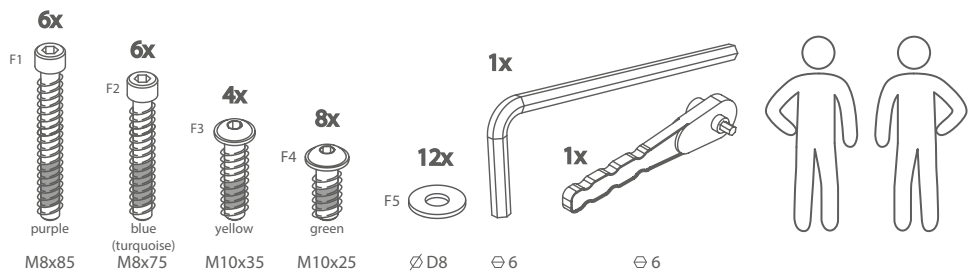
 78 kg




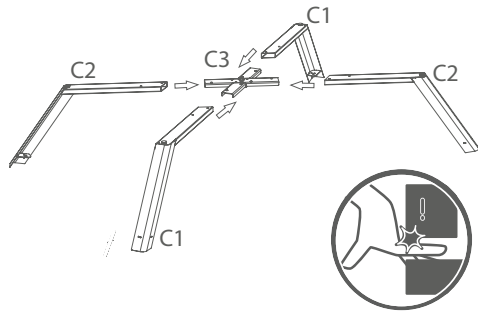
 147 kg

## PLAYING SURFACE

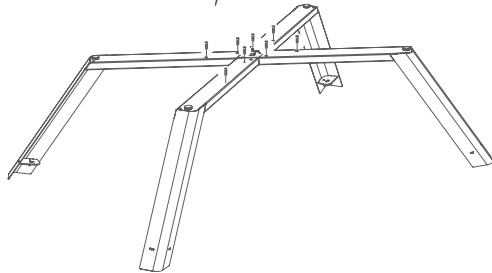
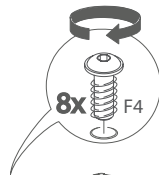




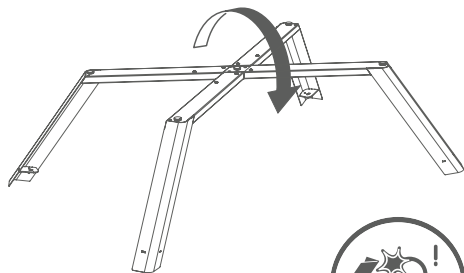
1  !



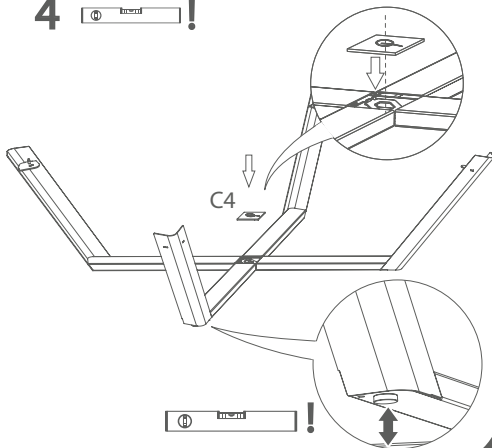
2



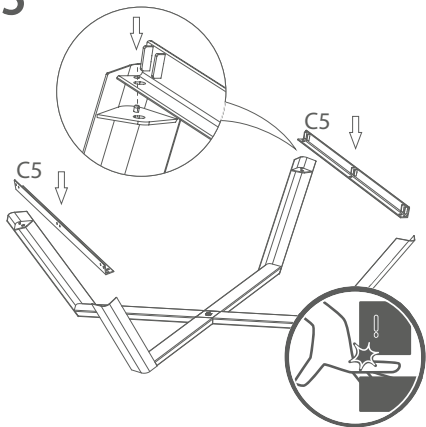
3  !



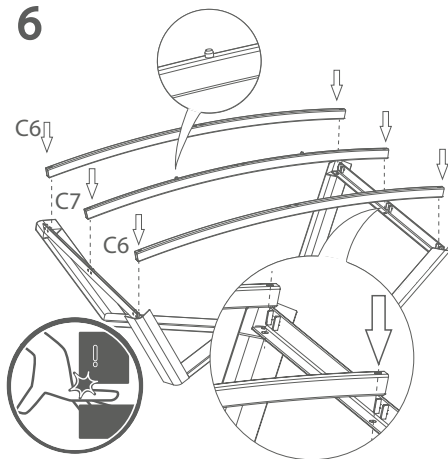
4  !



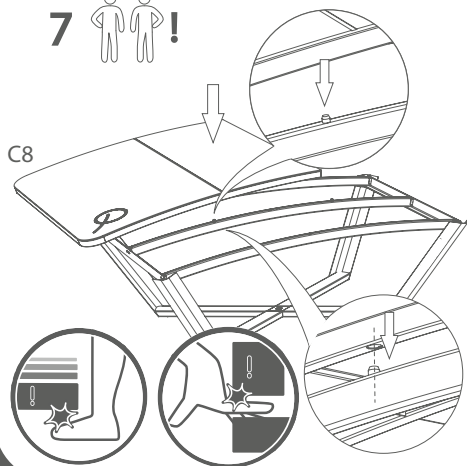
5



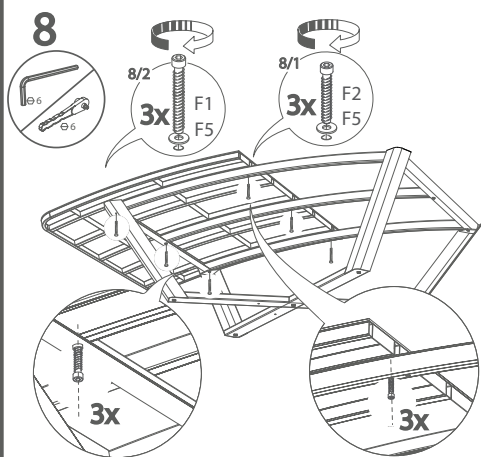
6




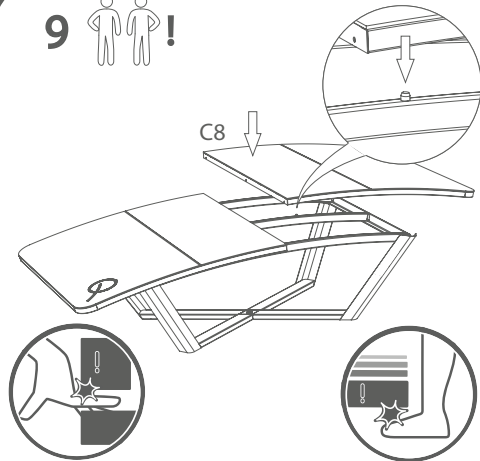
7 



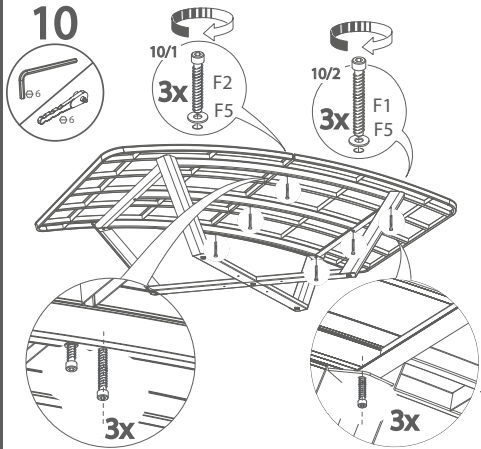
8



9  !

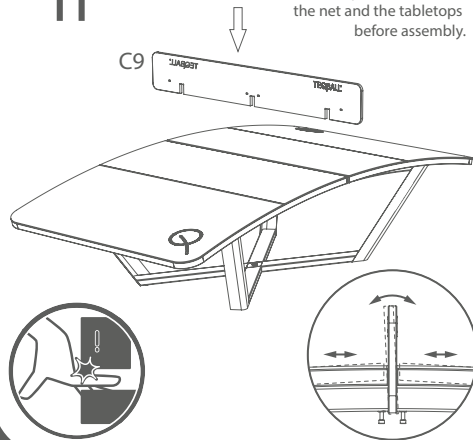


10

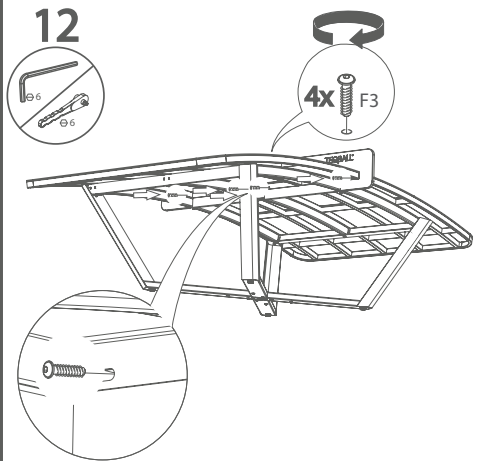


11

Remove the protection foil of the net and the tabletops before assembly.

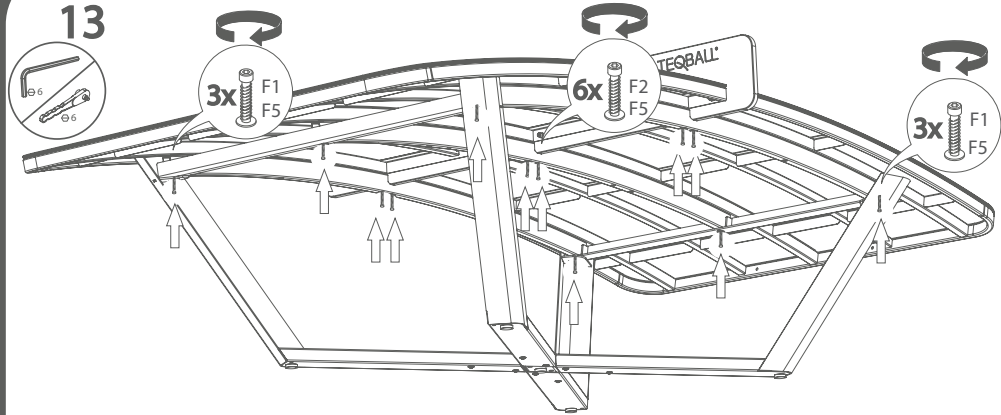


12

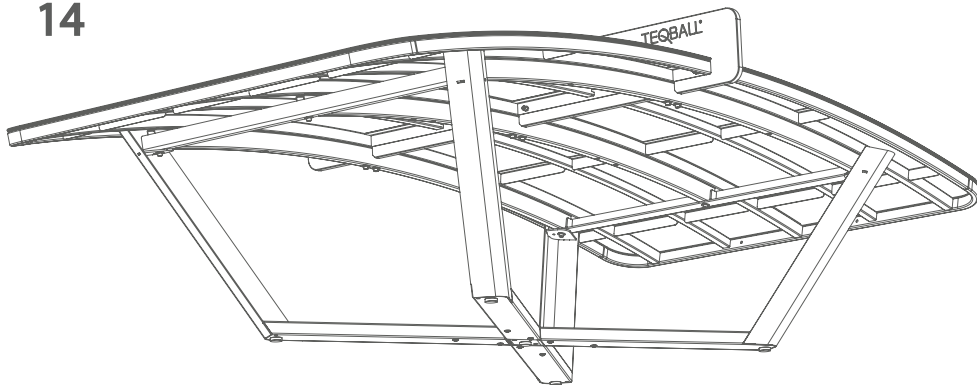




13

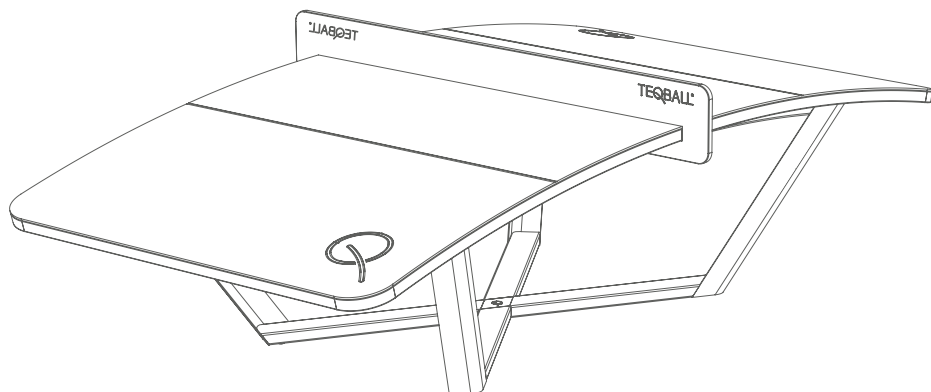


14



CHECK ALL FASTENERS!

15



DONE!

ENJOY TEQSPORTS!



TEQBALL<sup>®</sup>  
ARE YOU TEQ?

Further information

[www.teqball.com](http://www.teqball.com)  
[info@teqball.com](mailto:info@teqball.com)