

TEQ LITE

INDOOR/OUTDOOR

 **Table-Tennis-Tables.co.uk**

**LITE
OWNER'S
MANUAL**

INFORMATION FOR USERS

ENGLISH (EU,US)

Before using or assembling the product read the document very carefully. Please keep the manual as you may need the included information in the future. The product is under international patent, trademark and copyright protection. If you cannot find the instructions in your language please visit www.teqball.com.
SPECIFICATIONS OF THE PRODUCT
 Unfolded dimensions: 3000x1700x900 [mm]
 Total weight: max 110 kg
 Folded dimensions: 760x1700x1800 [mm]

The product can be used by wheelchair users.



This product is certified by:

2001/95/E General Product Safety Directive
 EN 14468-1:2015 (where relevant)



SAFETY AND WARNINGS

Please, follow closely these instructions when assembling the table; warranty claims are not valid if the assembly is faulty. Teq Lite table is a specially designed piece of sports equipment and it is not suitable for any other purposes.

It is forbidden to use the table in extreme weather conditions.	Please store the table sheltered from the wind as otherwise accidents can happen.	It is forbidden to keep the table on sloping ground either folded or unfolded.	It is forbidden to jump, stand, sit or lean on the table.	Folding up and down the heavy tabletop must be done by two people. Always keep your back straight when lifting.	Do not touch the moving elements during moving or folding up/down the table.
Do not use with missing components.	It is forbidden to move the table in unfolded position.	Do not leave children unsupervised around the table (including setting-up and storing periods as well).	It is forbidden to store the table without locking the wheel.	Warranty void if seal broken or removed.	It is forbidden to jump on or kick the table.

HANDLING & MAINTENANCE

The Teq Lite table must be set up properly. This is not only for better gameplay experience but also for your safety. Please follow these instructions:

OPEN						

Clean the surface with warm water and use a mop (DO NOT use any abrasive sponges). Regular maintenance is essential to keep the Teq Lite table safe and reliable. At least twice a month check all screws, nuts to ensure that they function properly. During the periods when your Teq Lite is out of use, it is recommended to fold up the tabletops, cover the product and store it indoors. This way you will have a better chance to avoid weather-caused damages such as fading of the tabletop or corrosion of the steel structure.
 Replacing any component with an improper part makes the table unsafe. Always use original Teq Lite components for replacements! In case of any question please contact us on support@teqball.com

TEQBALL PRODUCT WARRANTY (EU,US)

Teqball is proud to provide the following warranty (the "Warranty") on its high quality products to its consumer Customers, beyond any other legal remedies or warranties that they may have under applicable law. Risks/costs covered by the Warranty: latent product defects relating to materials and/or workmanship; shipping, packaging, handling and customs fees relating to product repair or replacement; repair costs; Risks/costs excluded from the Warranty: product surface damage (except paint damage or rust caused by manufacturing defects, which are covered); damage caused by misuse, neglect, accident; damage caused by not following any instruction in the Owner's Manual; normal wear and tear; damage suffered in transport; damage suffered during or after a repair or installation by unlicensed third parties; potential, indirect, incidental, special, punitive or consequential damage, even if informed of the possibility of such beforehand;
Warranty period: 2 (two) calendar years from date of delivery to the Customer; **Warranty claim window:** unless otherwise specified in applicable law, 10 (ten) calendar days from the date damage was noticed or should have been noticed; **Proof of claimed damage or costs:** photo or video of damage accompanied by photo of serial number; costs substantiated by written documentation; **Format of warranty claim:** email to support@teqball.com or fax to +353 (85) 748 5613, including (a) proof of claimed damage or costs, (b) proof of purchase including date of purchase, and (c) proof of resale if resold to another consumer;
Remedy of warranty claim: within 20 business days of receipt of a valid warranty claim, Teqball shall provide, at the Customer's option and at Teqball's expense, either (1) a full refund of the purchase price to Customer's bank account located in the country of purchase, (2) replacement with a table in the same range shipped to Customer's address located in the country of purchase or (3) repair or replacement of a damaged part (at Teqball's discretion). In each case, Teqball may reclaim the damaged table or part.
Claims after warranty period: beyond the warranty period, Teqball provides quality repair services through its network of certified professionals, at the Customer's cost.
 No distributor or agent may vary the terms of this Warranty. If the terms of this Warranty contradict the terms of a sales contract entered into by Teqball, the conditions specified in such contract shall prevail.

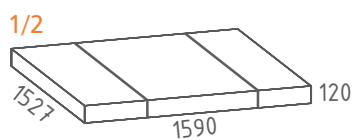
PRODUCT LIABILITY

The Teqball product you have purchased (the "Product") is manufactured to the highest industry and safety standards (including EN 14468-1:2015; UL 962) and Teqball constantly performs quality and safety testing to ensure that these standards are maintained or exceeded. Nevertheless, no product, especially one with heavy or moving parts, is completely risk free.
SERIOUS INJURY OR DEATH MAY RESULT FROM NOT FOLLOWING THE INSTRUCTIONS IN THE OWNER'S MANUAL. IN WHICH CASE TEQBALL AND ITS ASSOCIATED ENTITIES AND PERSONNEL DECLINE ALL LIABILITY IN ALL CIRCUMSTANCES, AND TO THE FULLEST EXTENT ALLOWED BY APPLICABLE LAW, TEQBALL'S LIABILITY RELATING TO DIRECT DAMAGE SUFFERED IN RELATION TO THE PRODUCT SHALL BE LIMITED TO (1) \$100,000 (ONE HUNDRED THOUSAND USD) OR (2) ACTUAL SUBSTANTIATED DAMAGES, WHICHEVER IS LOWER.
NO LIMITATION OF LIABILITY SHALL APPLY TO INJURY OR DEATH CAUSED BY TEQBALL'S GROSS NEGLIGENCE OR TO ANY OTHER DAMAGE THAT MAY NOT BE LIMITED BY APPLICABLE LAW. IN ALL CIRCUMSTANCES, AND TO THE GREATEST EXTENT ALLOWED BY APPLICABLE LAW, TEQBALL DECLINES ALL POTENTIAL, INDIRECT, SPECIAL, INCIDENTAL, PUNITIVE OR CONSEQUENTIAL DAMAGE SUFFERED IN RELATION TO THE PRODUCT, EVEN IF INFORMED OF THE POSSIBILITY OF SUCH BEFOREHAND.
 Any liability claim must be substantiated by documentary evidence recorded within 5 calendar days of sustaining the damage and submitted to legal@teqball.com (or by fax to +353 (85) 748 5613) within 10 business days of the same date, unless longer claim windows are provided by applicable law.

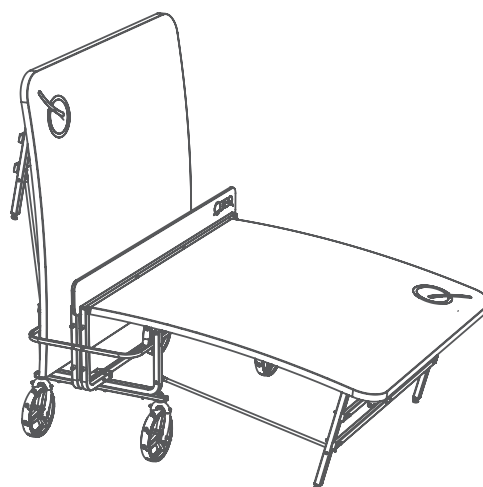
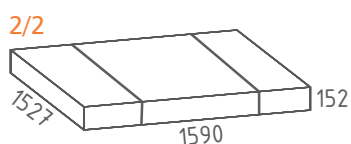
PICTOGRAM DESCRIPTION

Keep horizontal	Tighten completely (5 Nm)	Stop halfway (2 Nm)	Repeat on both sides	Identify parts by length

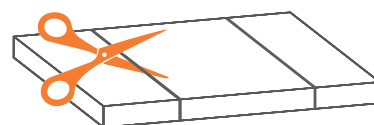
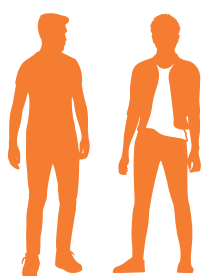
1x  64kg



1x  66kg



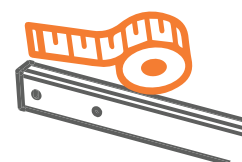
 111kg

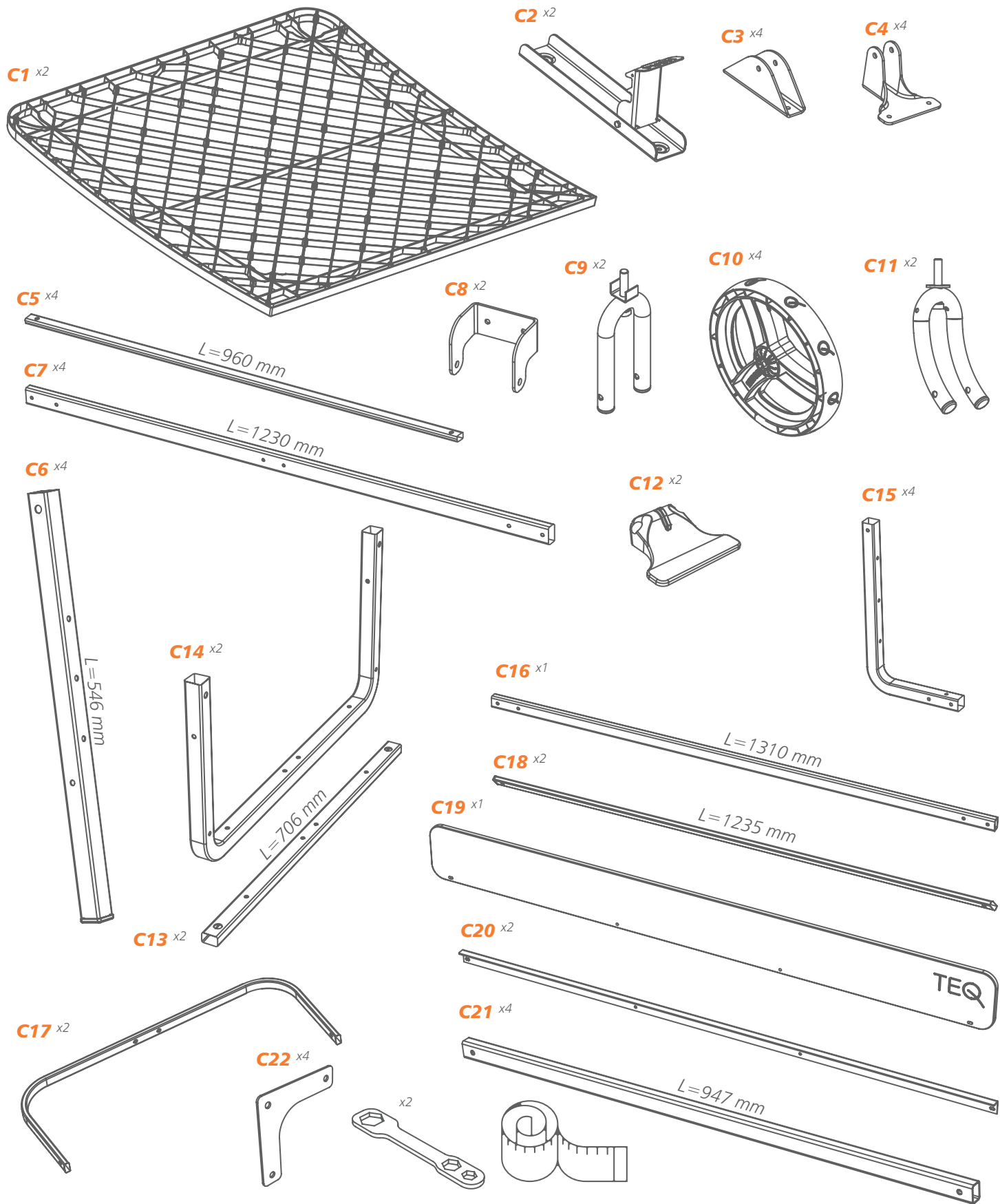


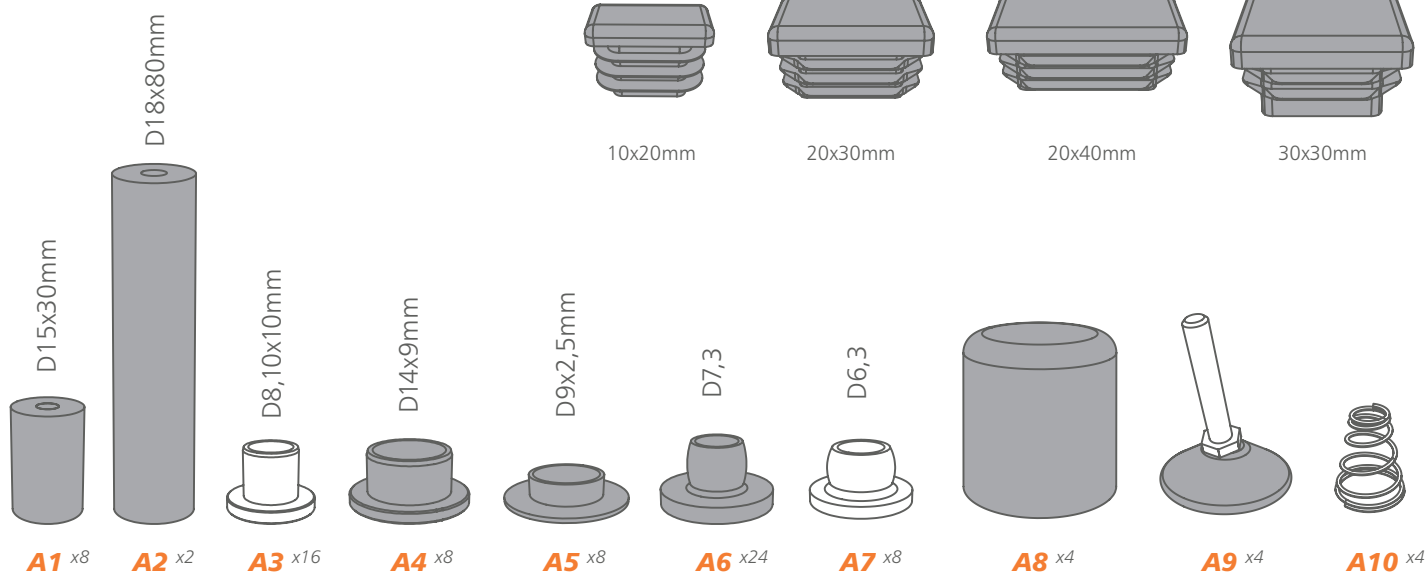
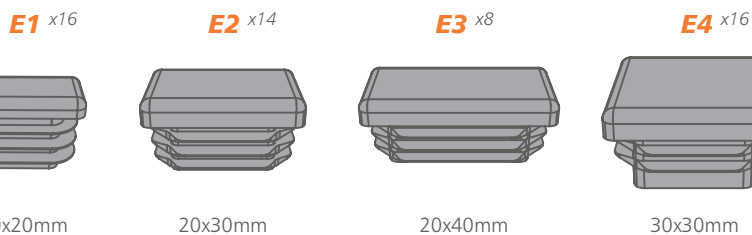
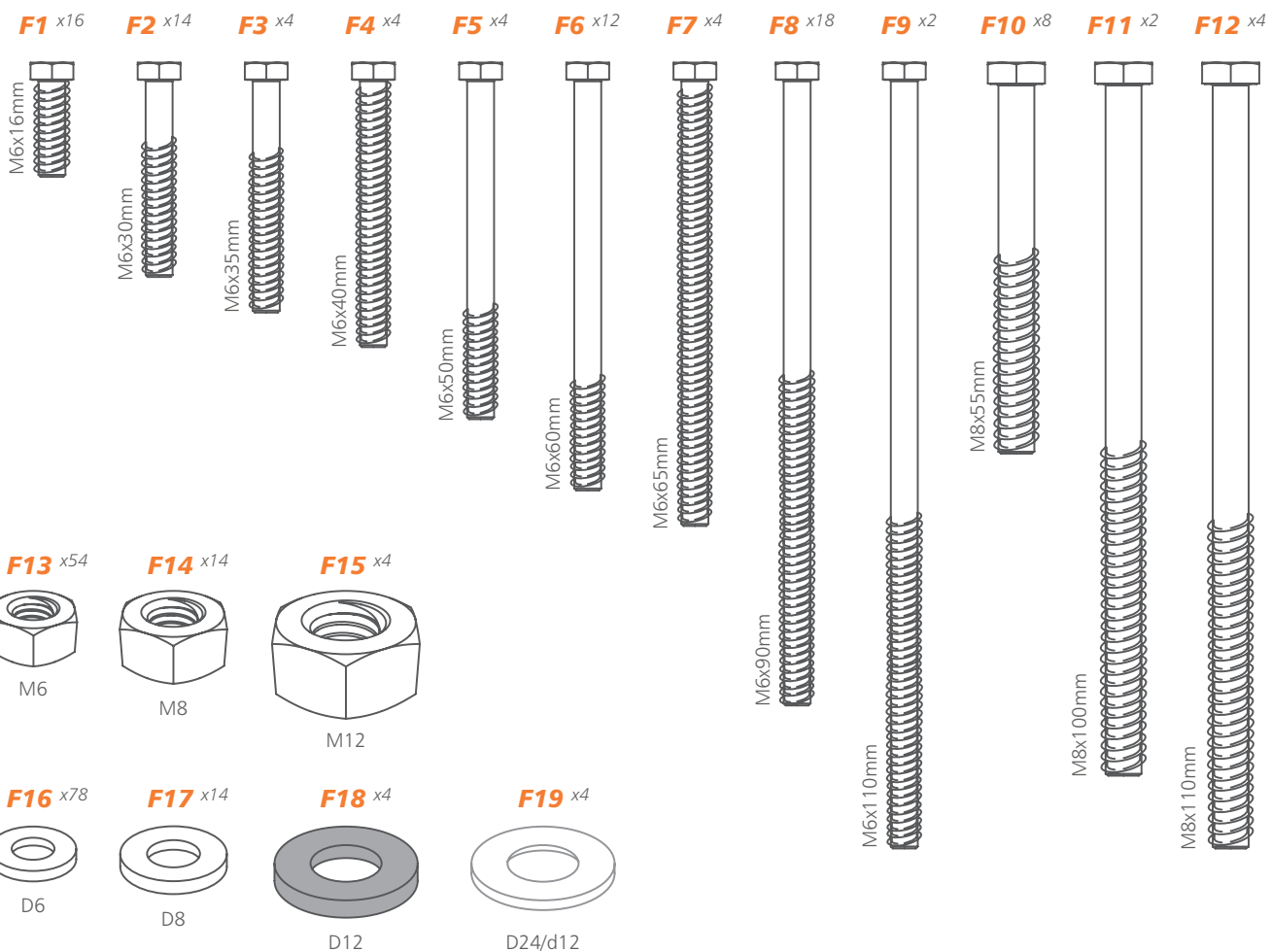
5 Nm



2 Nm









1.



F18 -
F19



F17



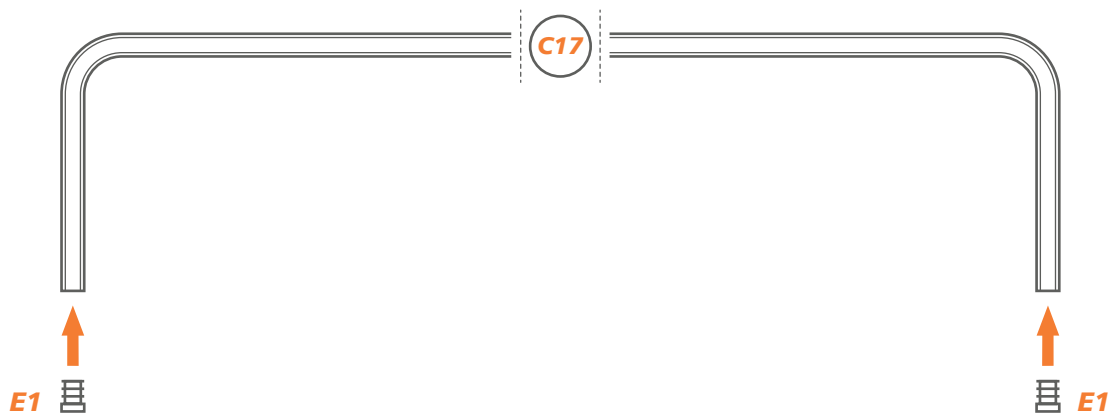
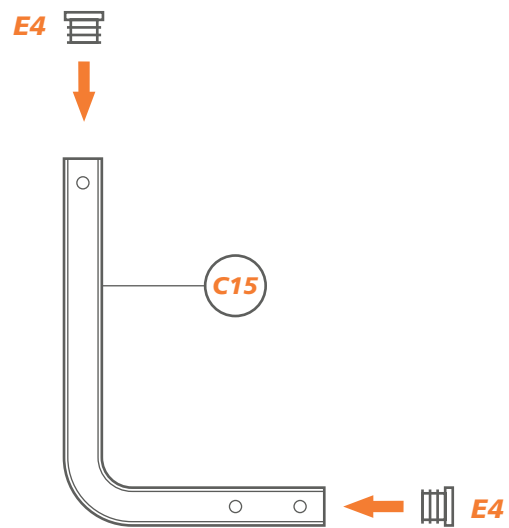
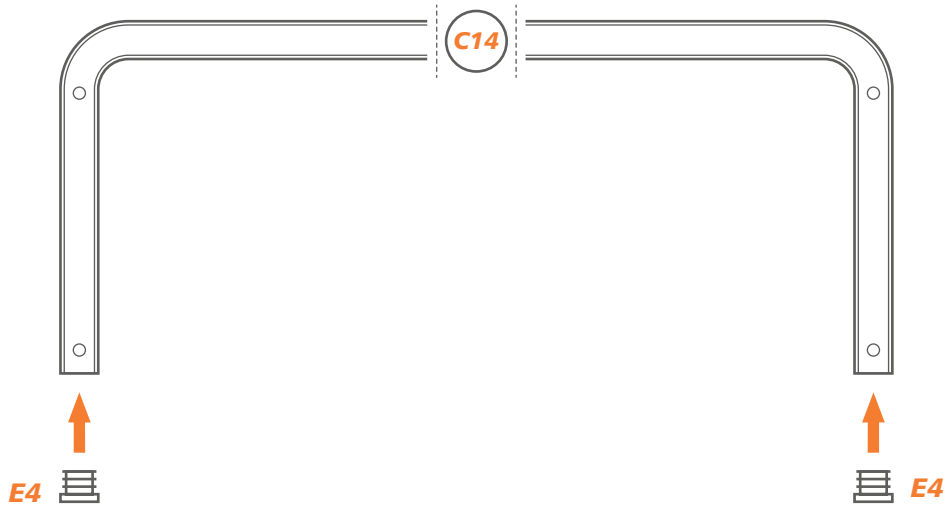
F10 -
F12



F16



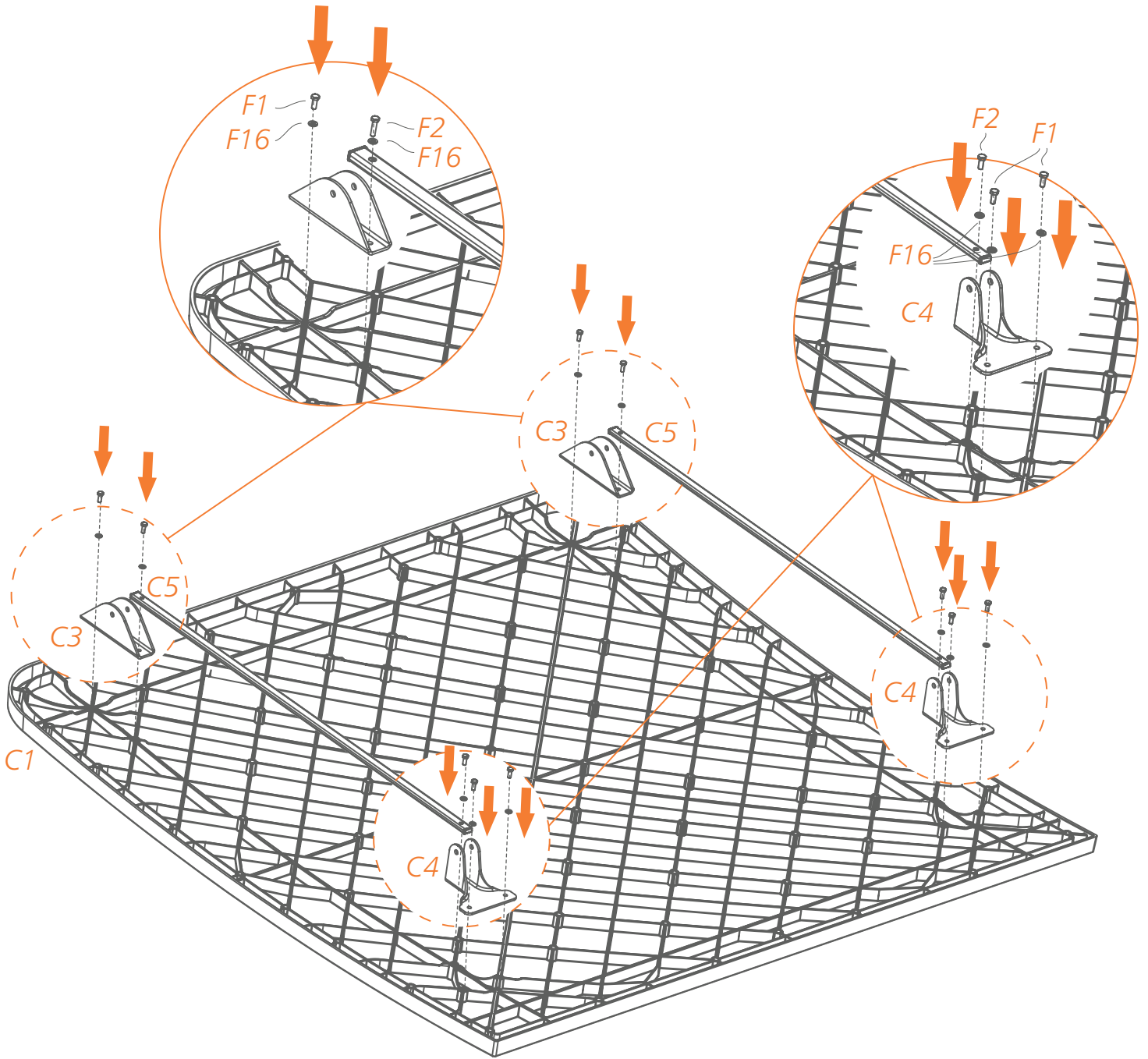
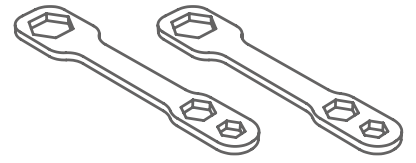
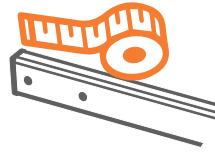
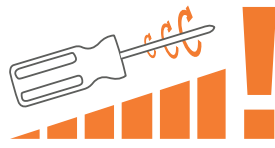
F1 -
F9



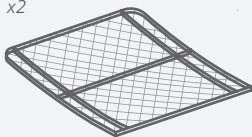


2.

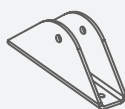
x2



C1 x2



C3 x4



C5 x4



L=960mm

C4 x4



F16 x20



D6

F1 x12



F2 x8



M6x16, M6x30

F18 -
F19



F17



F10 -
F12



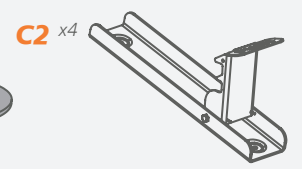
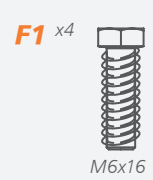
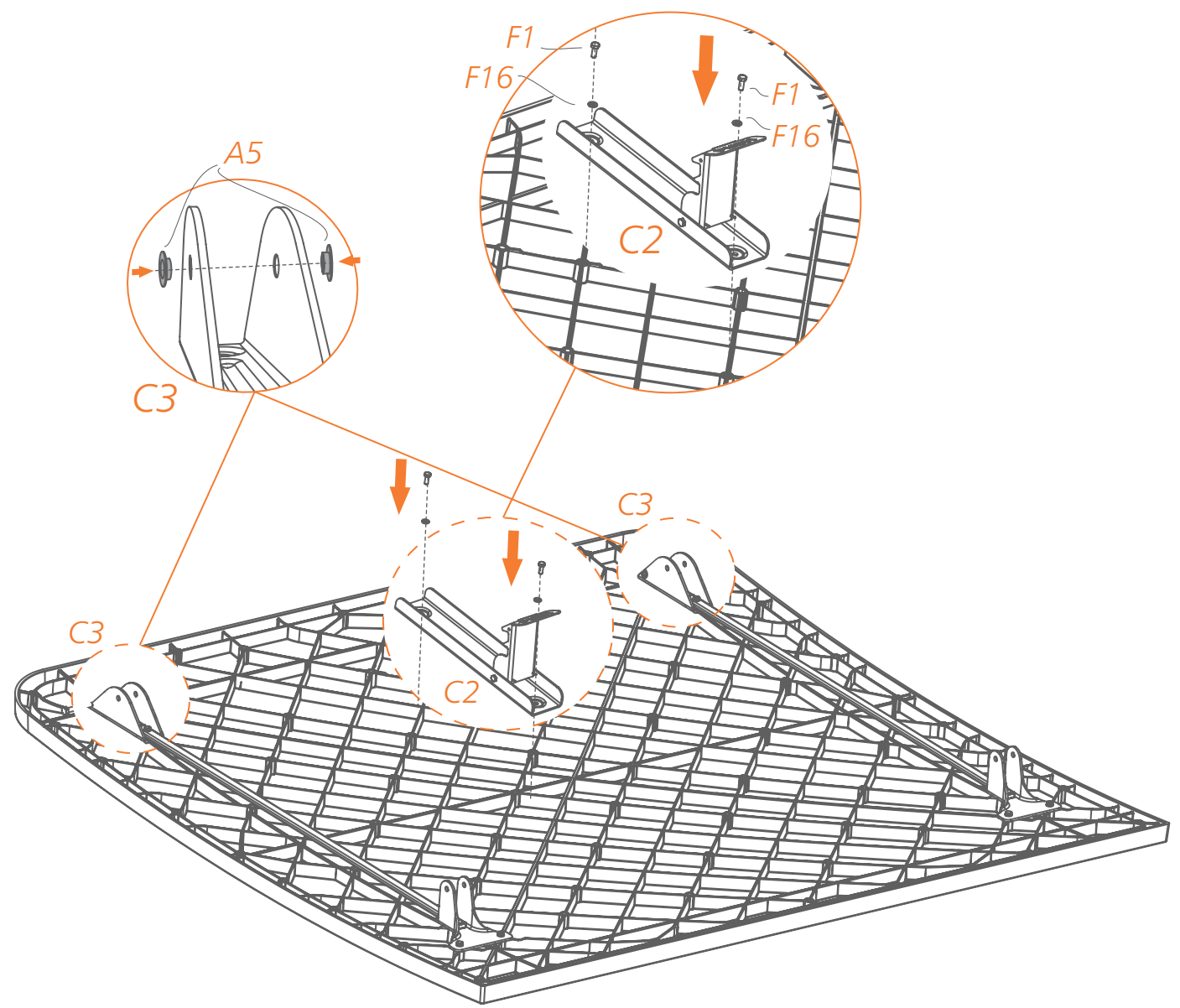
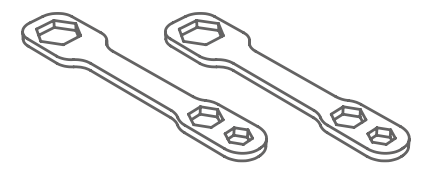
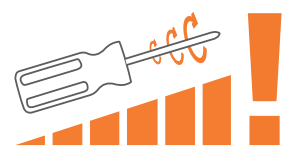
F16



F1 -
F9



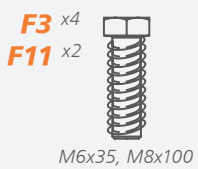
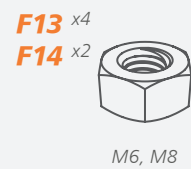
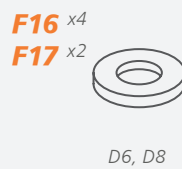
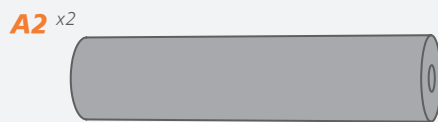
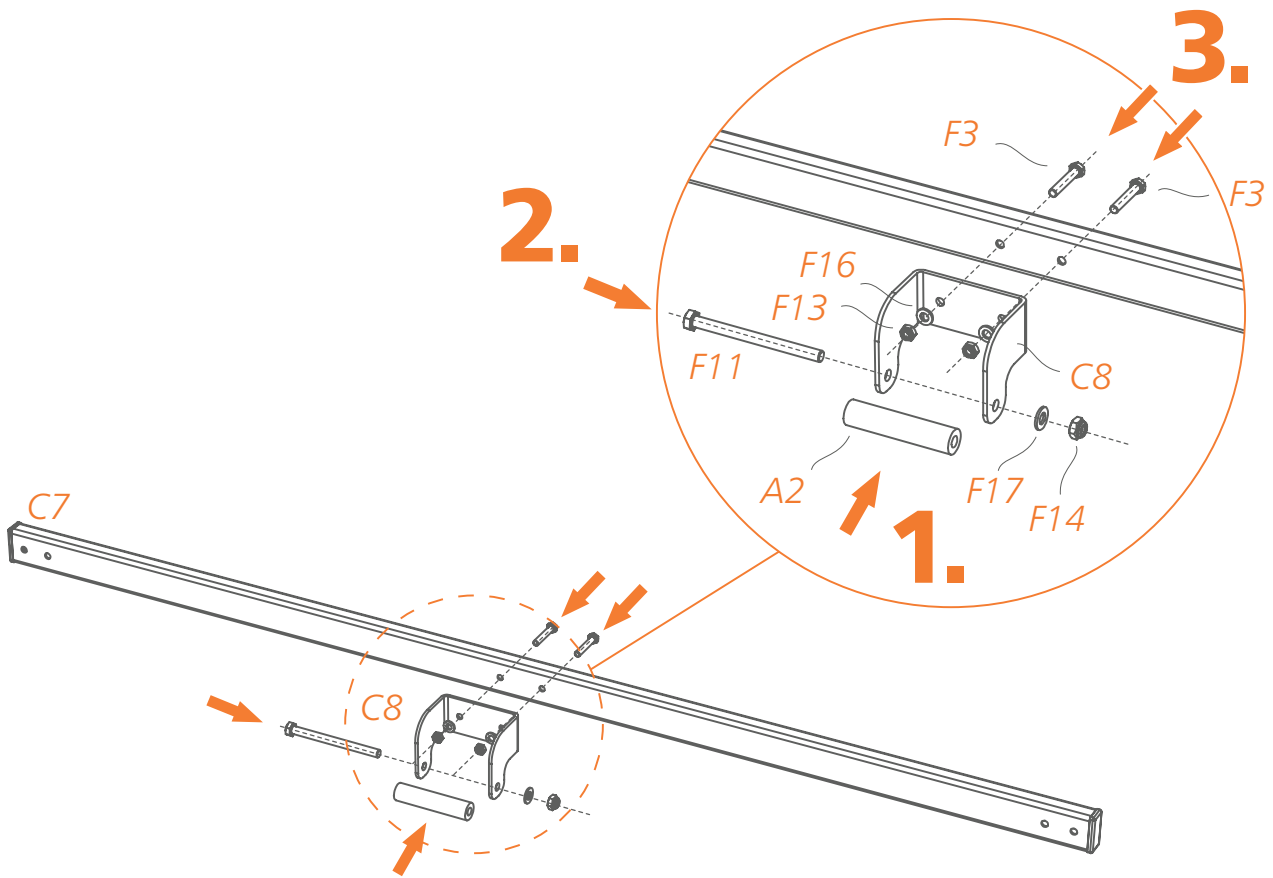
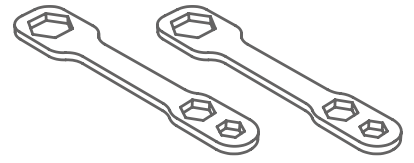
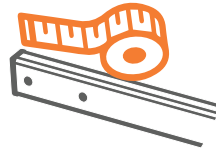
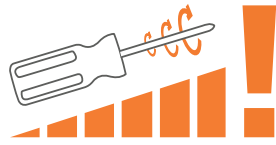
3. x2





4.

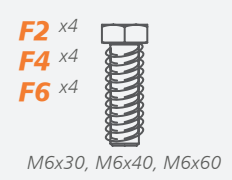
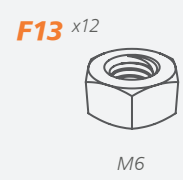
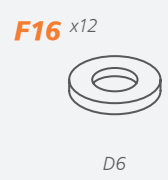
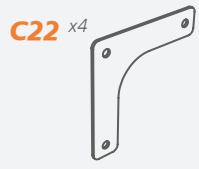
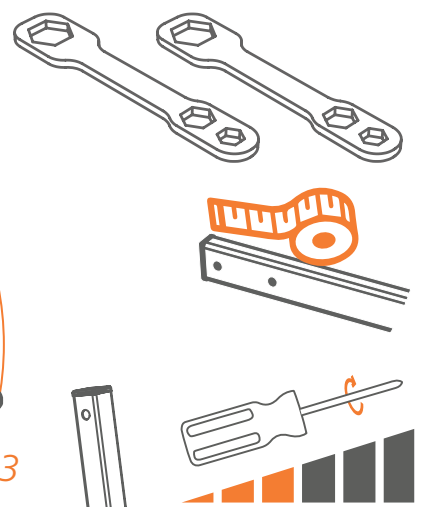
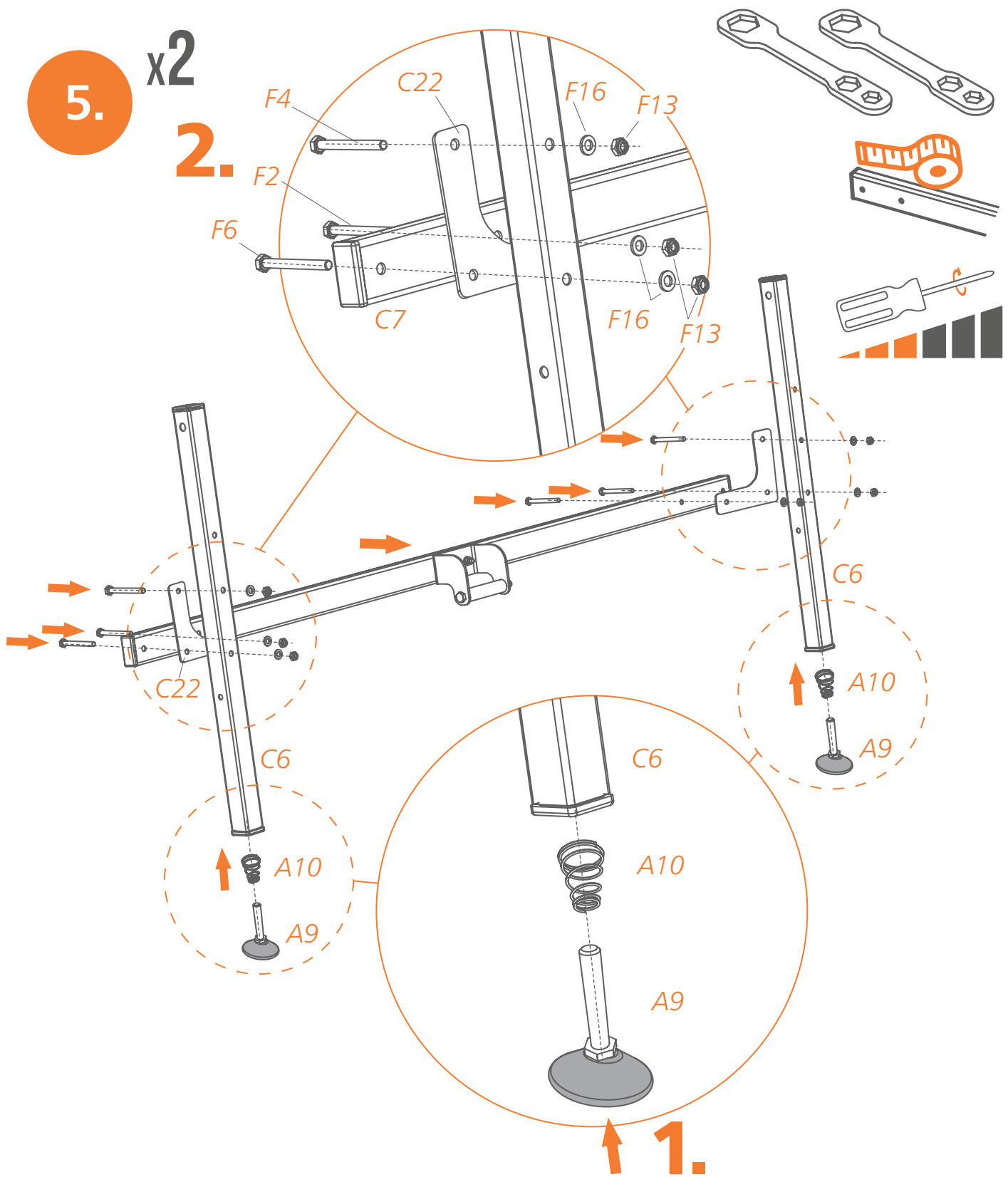
x2



5.

x2

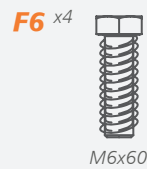
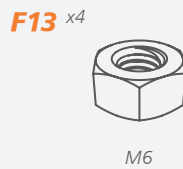
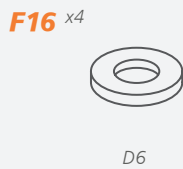
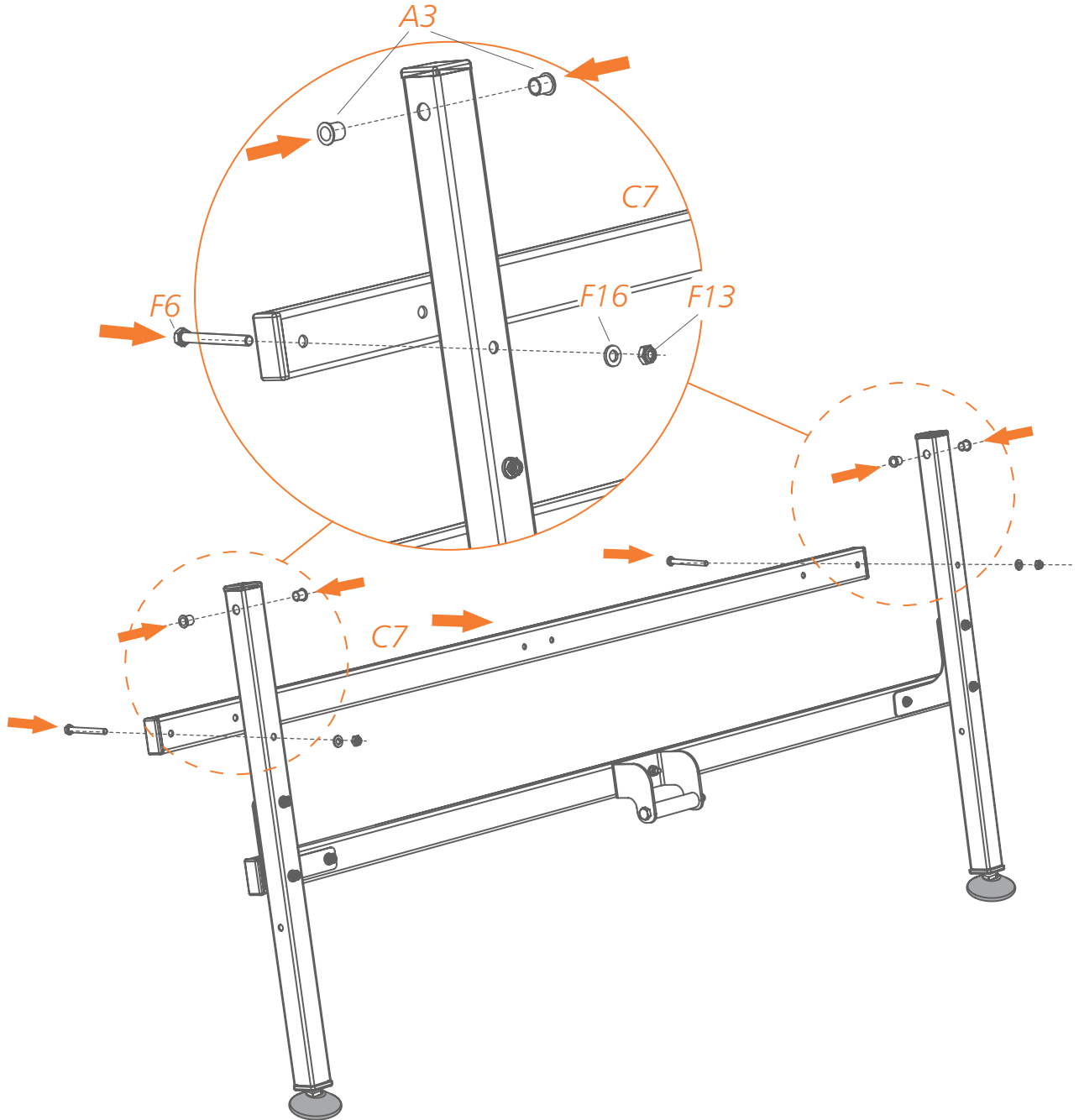
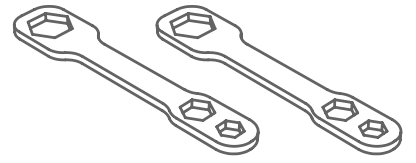
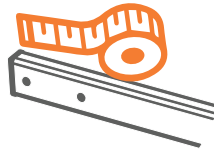
2.





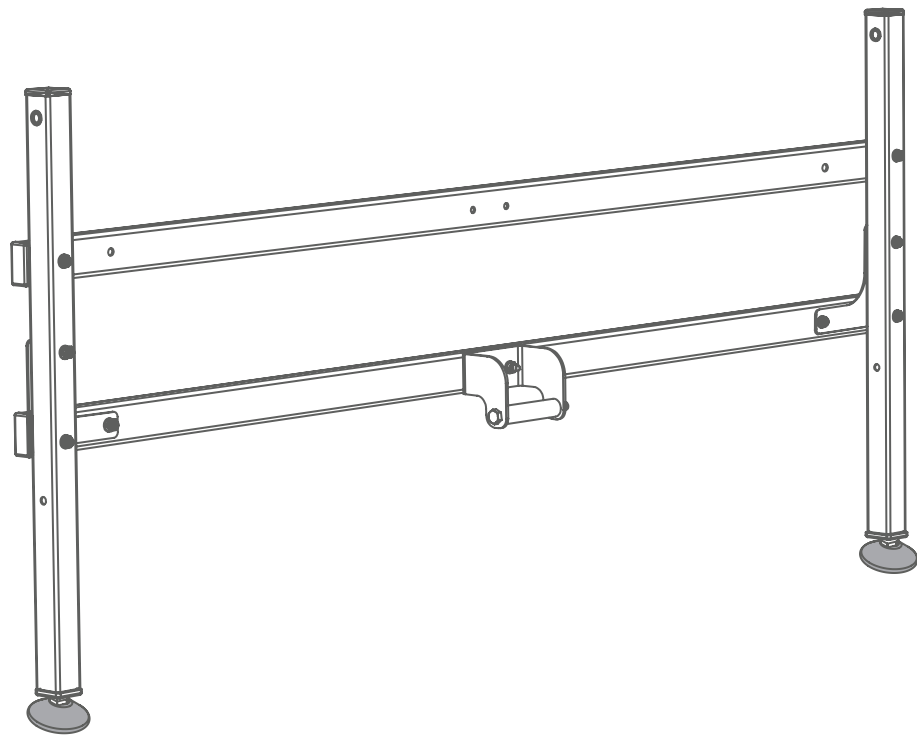
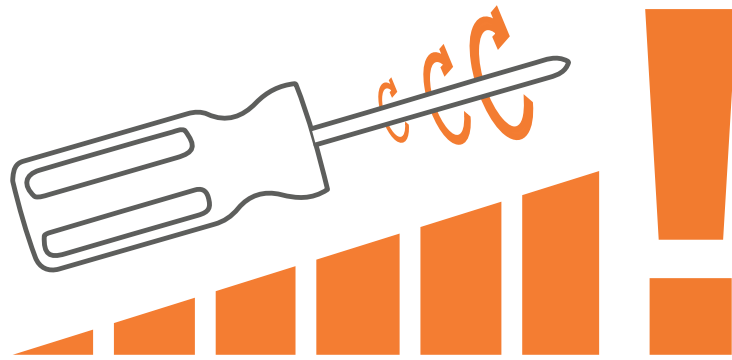
6.

x2



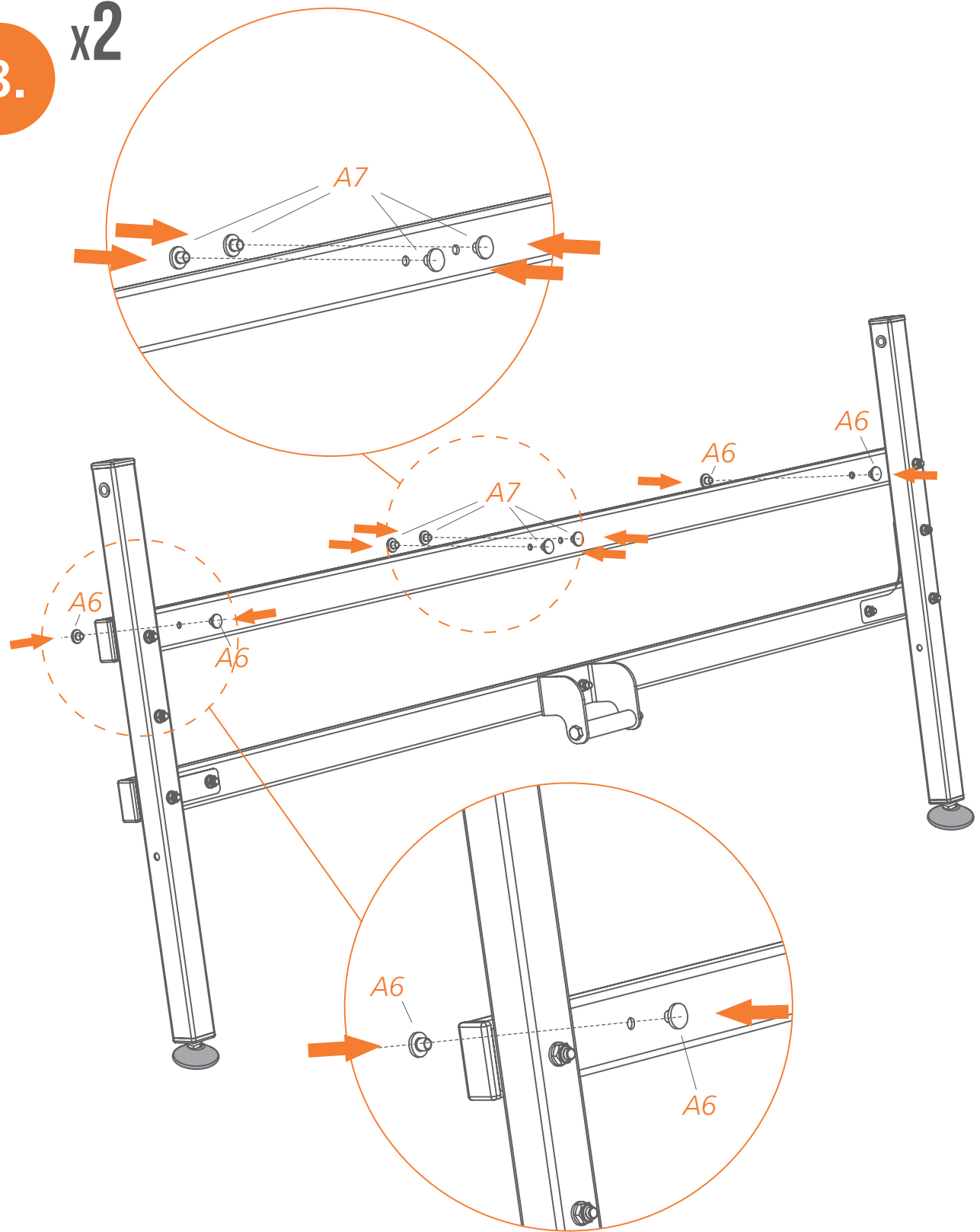


7.

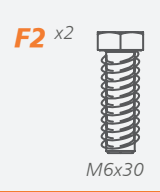
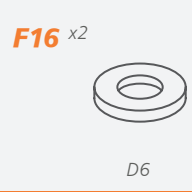
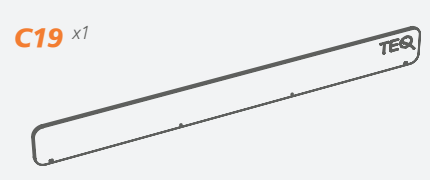
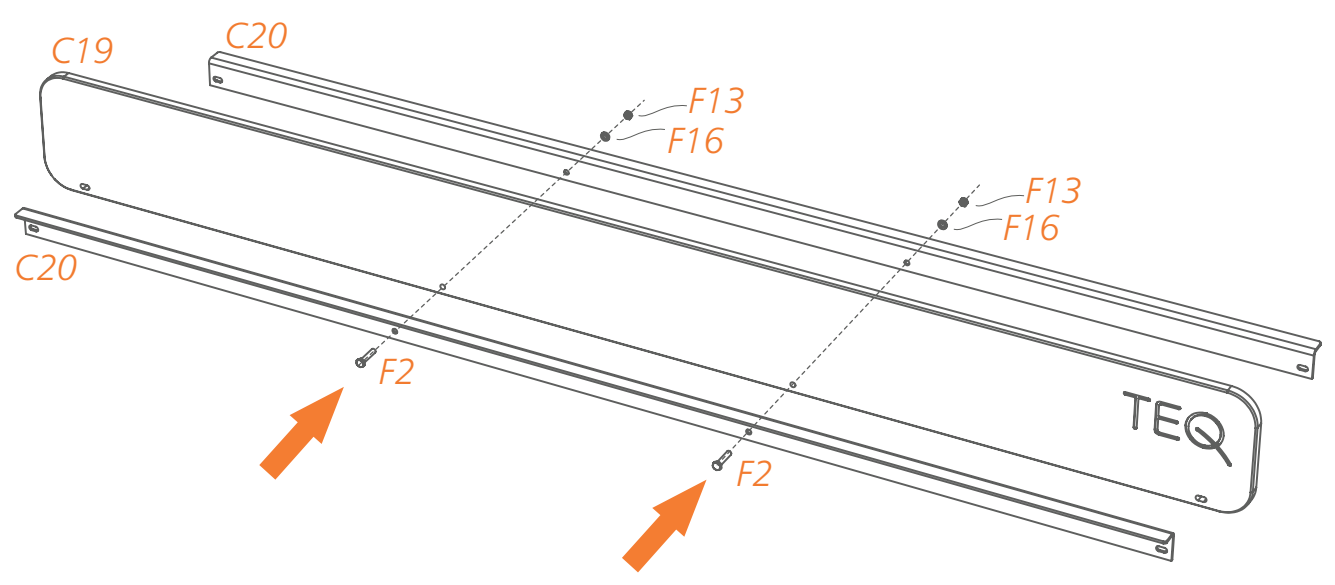
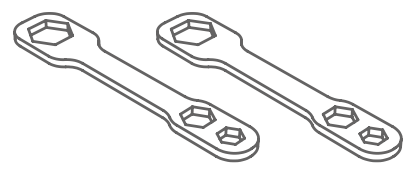
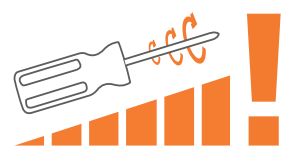




8. x2



9. x1



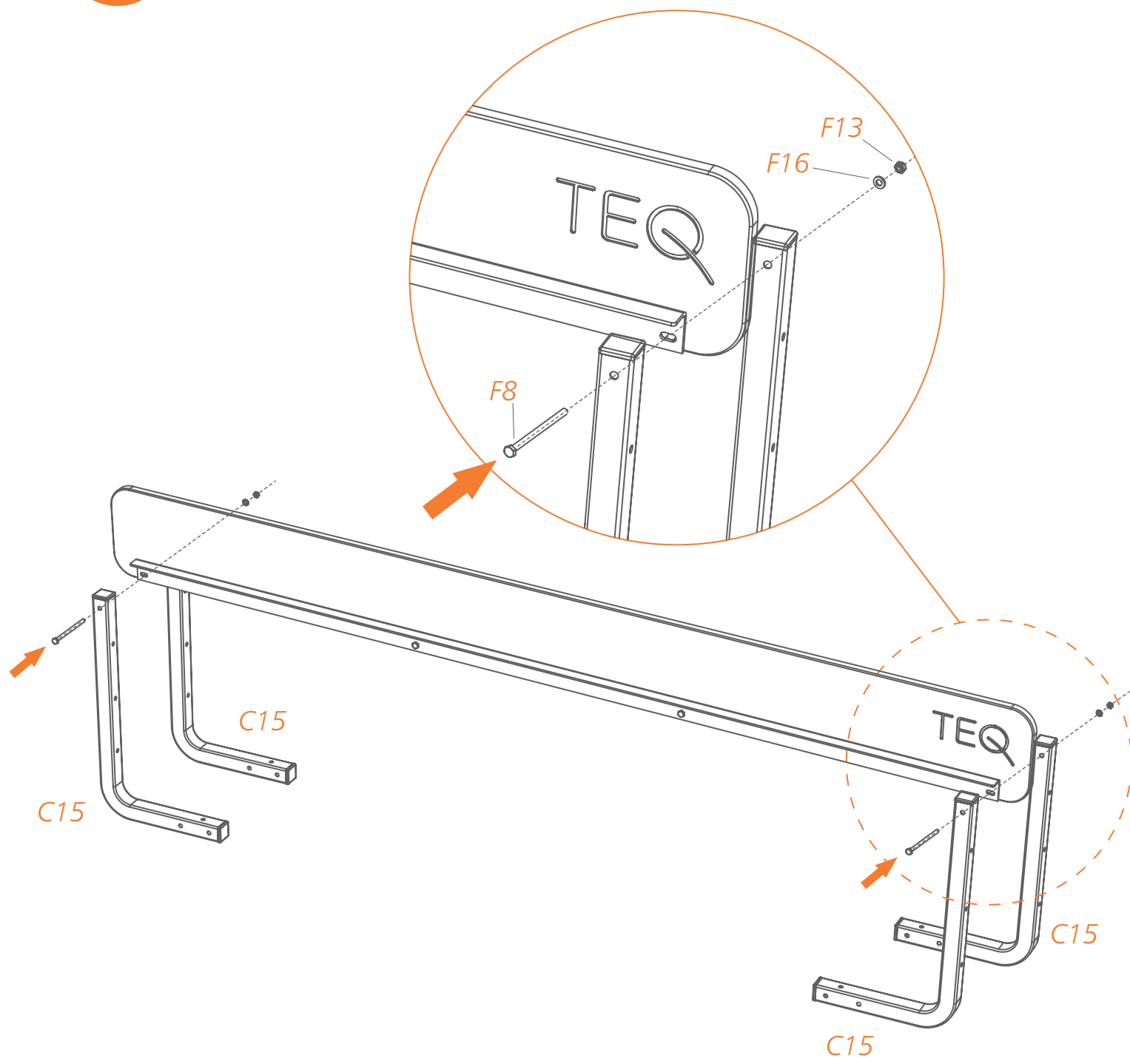
D6

M6

M6x30

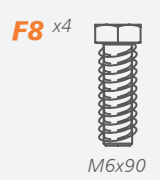
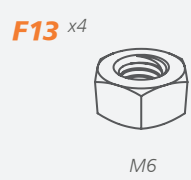
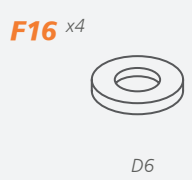
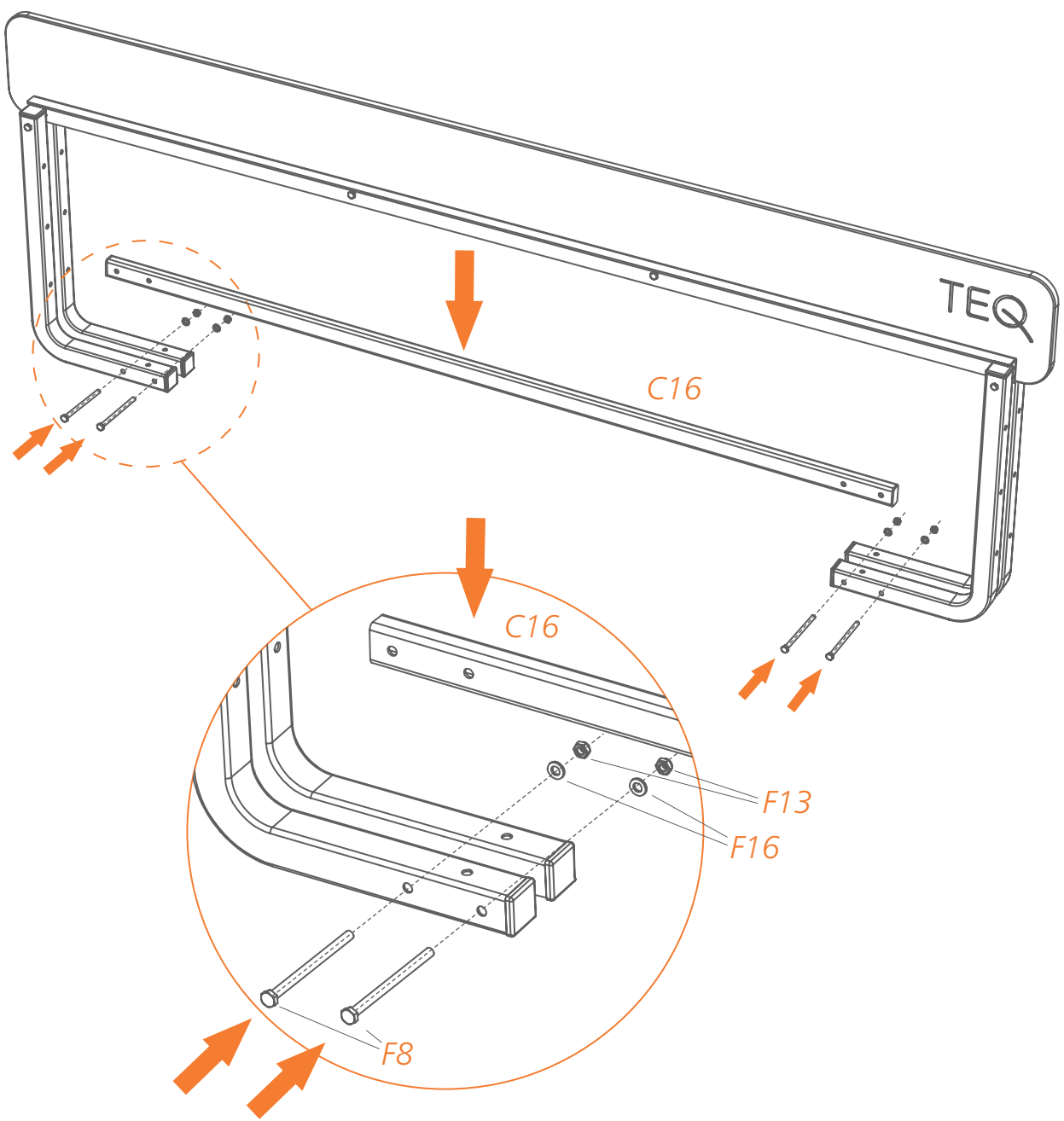
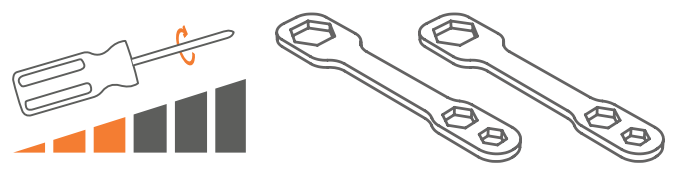


10. x1



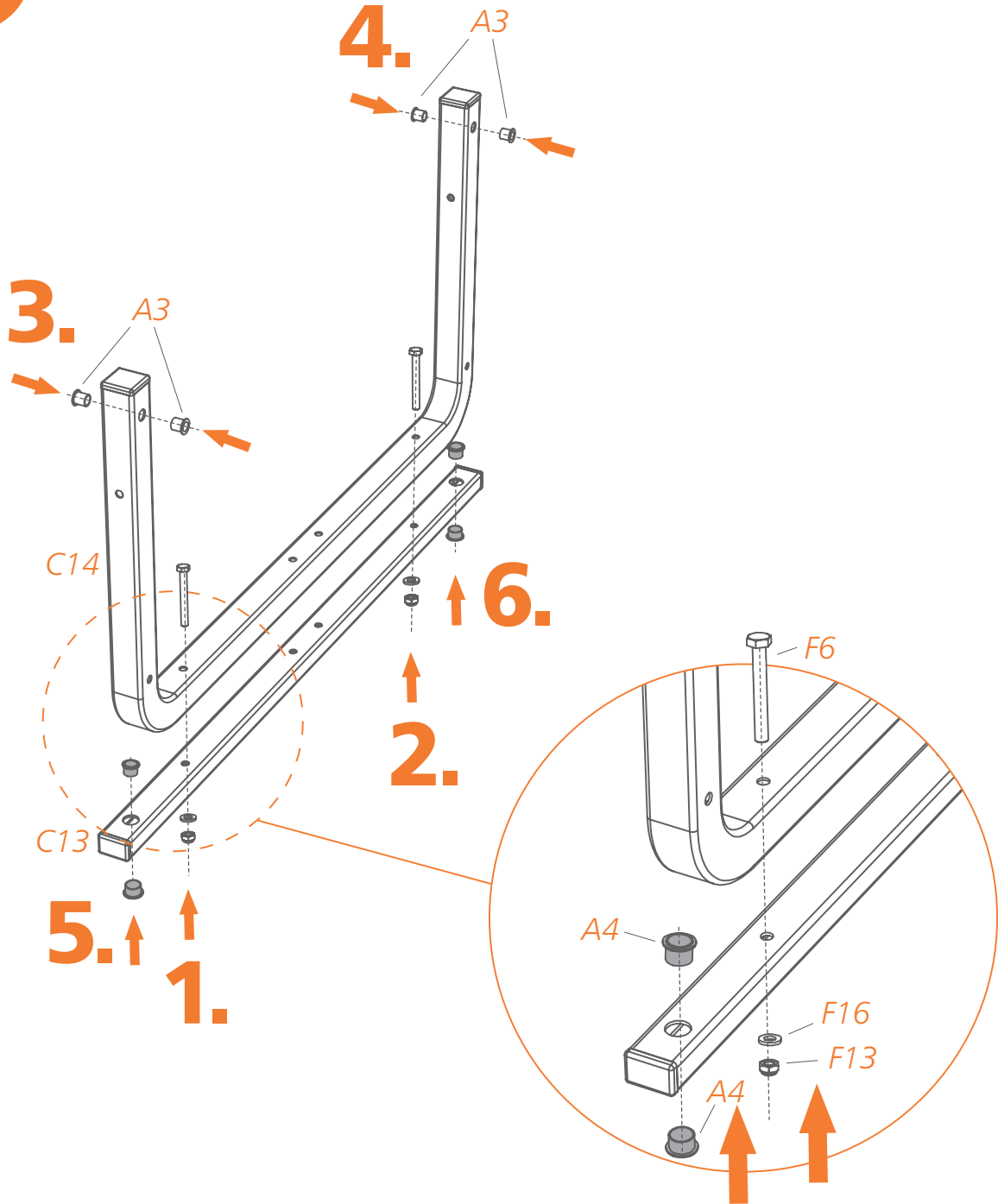
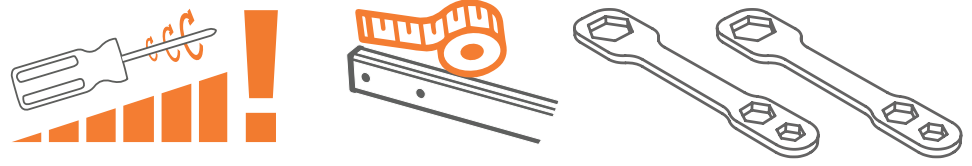
- C15** x4
 - F16** x2
 - F13** x2
 - F8** x2
- D6 M6 M6x90




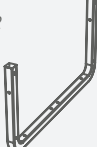


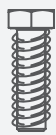
11. x1





12. x2



- A3** x8

- A4** x8

- C13** x2

L=706mm
- C14** x2

- F16** x4

D6
- F13** x4

M6
- F6** x4

M6x60

F18 -
F19



F17



F10 -
F12



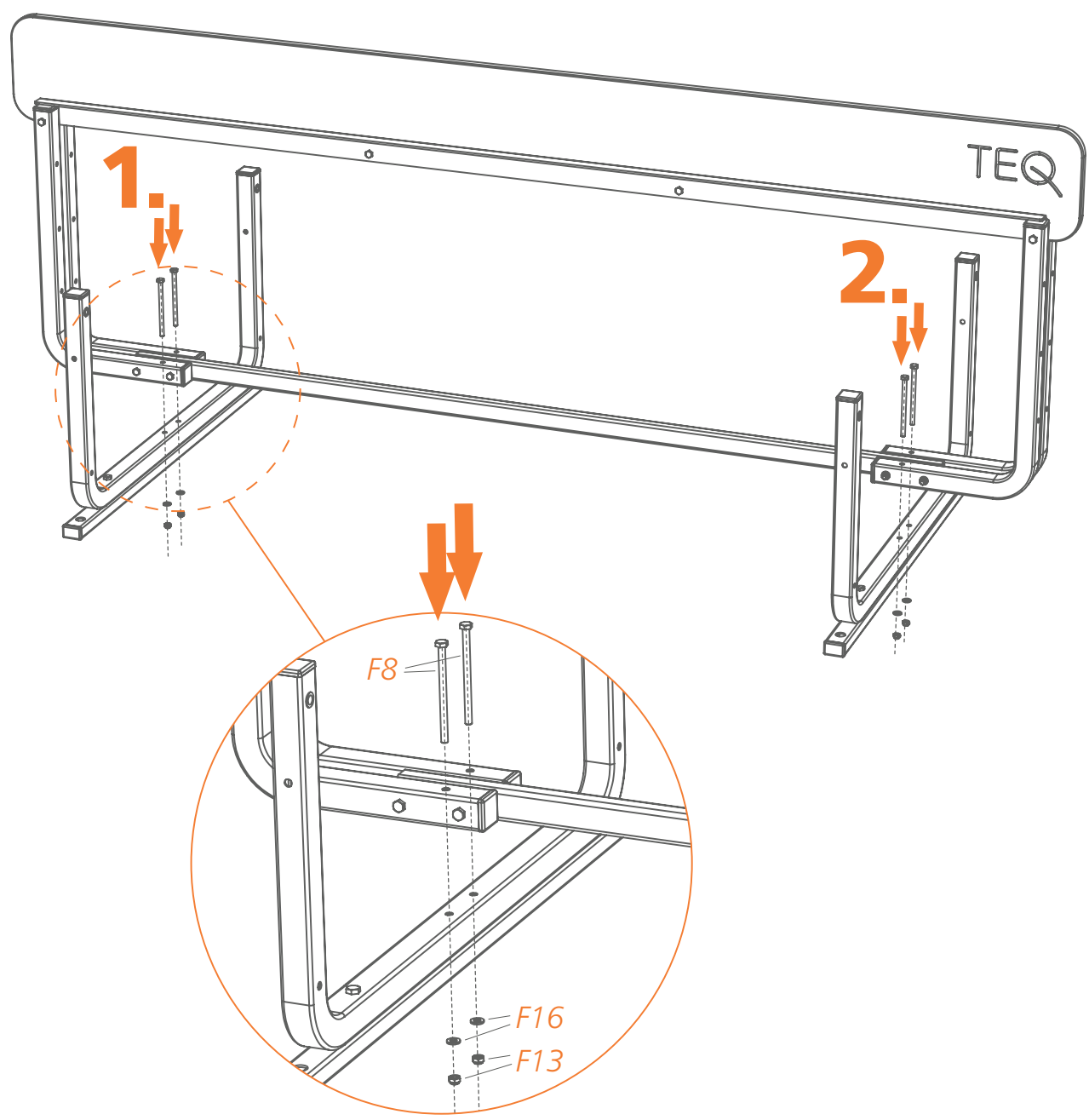
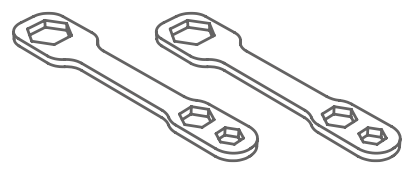
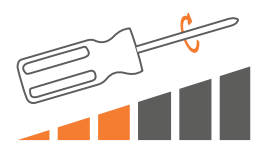
F16



F1 -
F9



13. x1



F16 x4



D6

F13 x4



M6

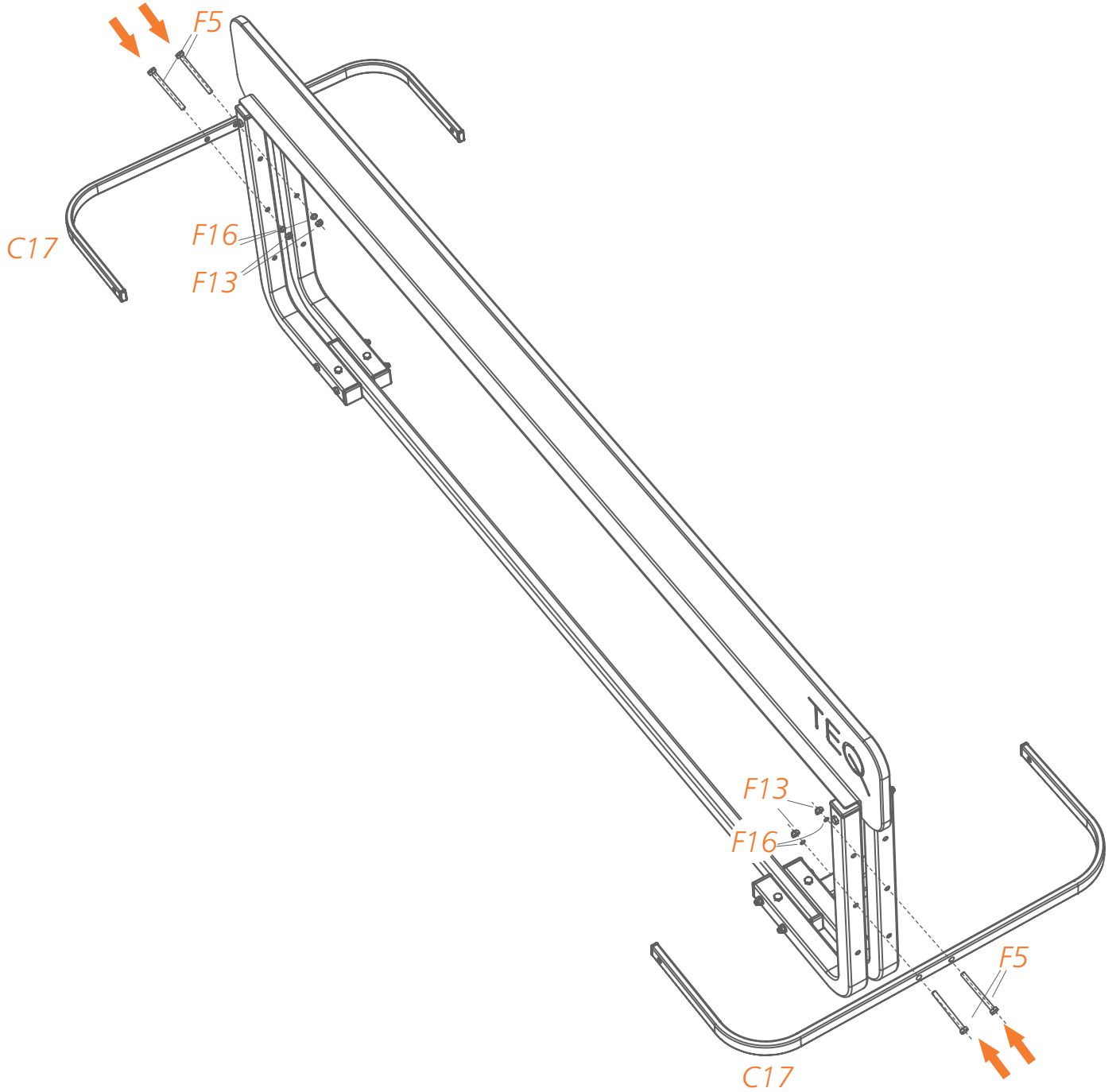
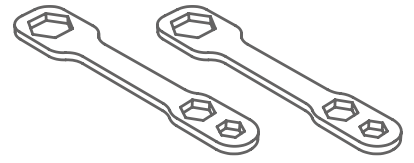
F8 x4



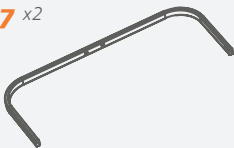
M6x90



14. x1



C17 x2



F16 x4



D6

F13 x4



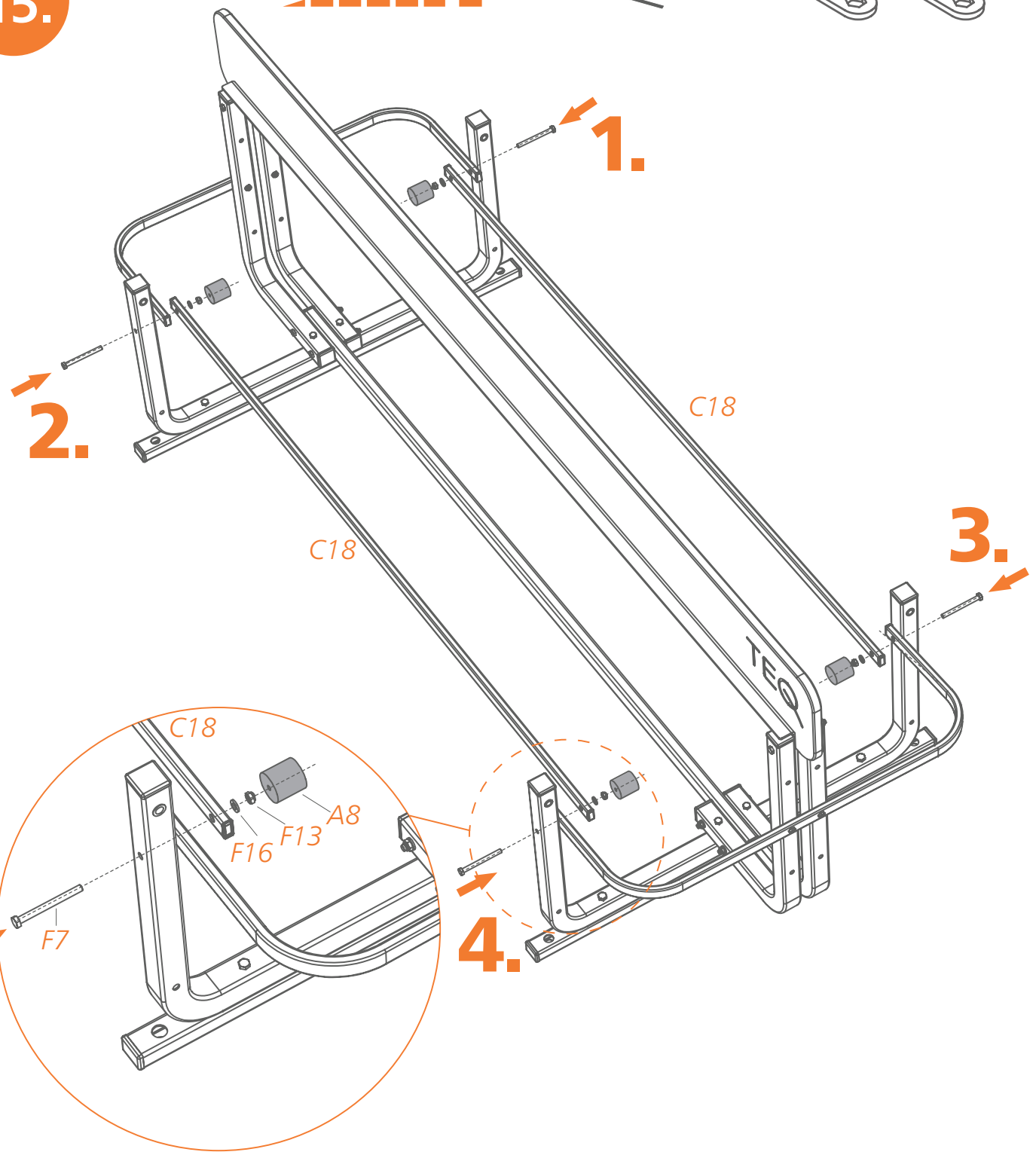
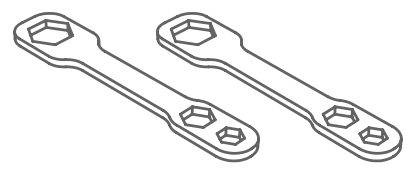
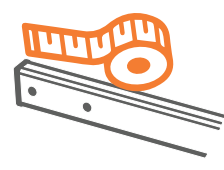
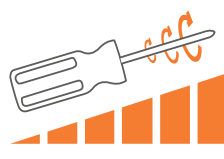
M6

F5 x4

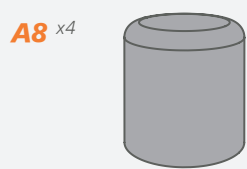


M6x50

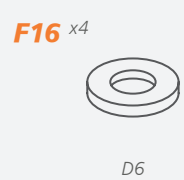
15. x1



L=1235mm

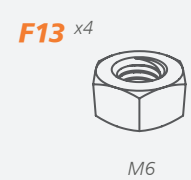


A8 x4



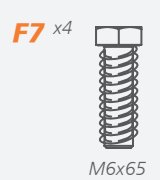
F16 x4

D6



F13 x4

M6

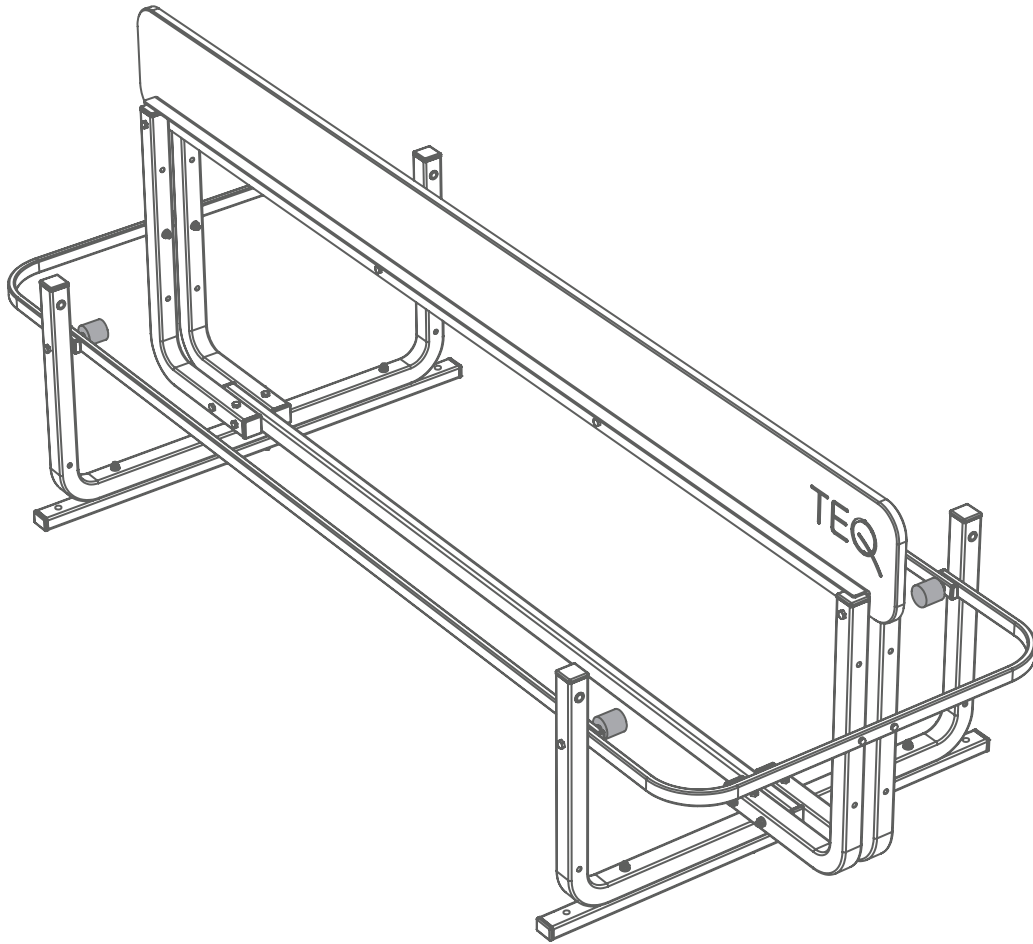
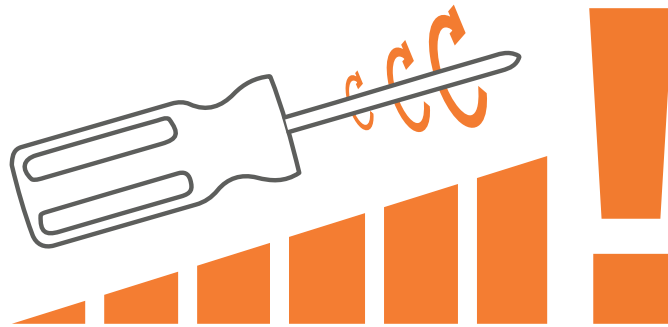


F7 x4

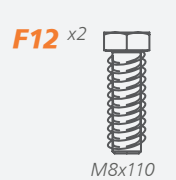
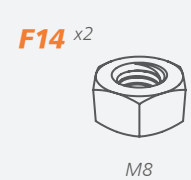
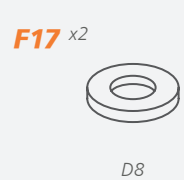
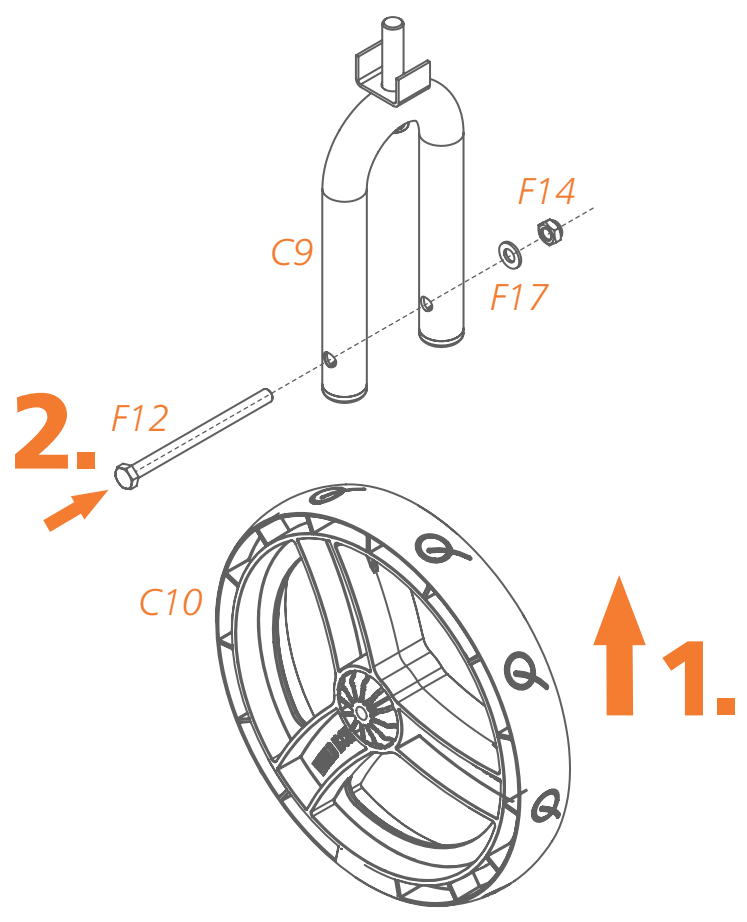
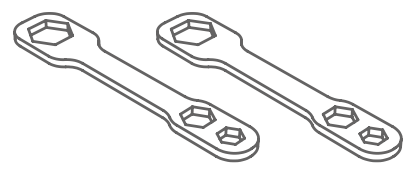
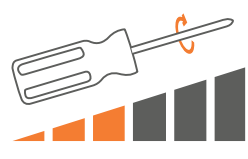
M6x65



16.



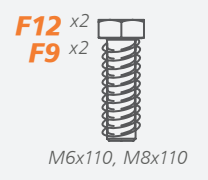
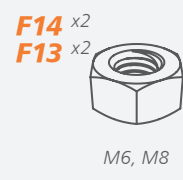
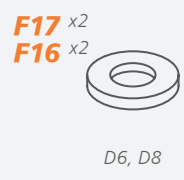
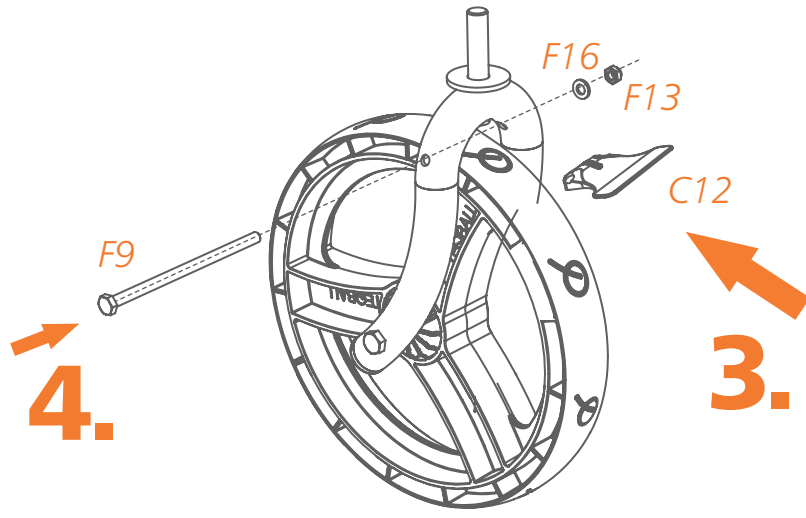
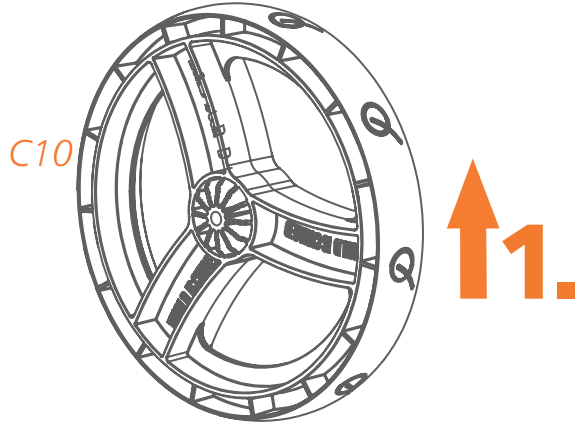
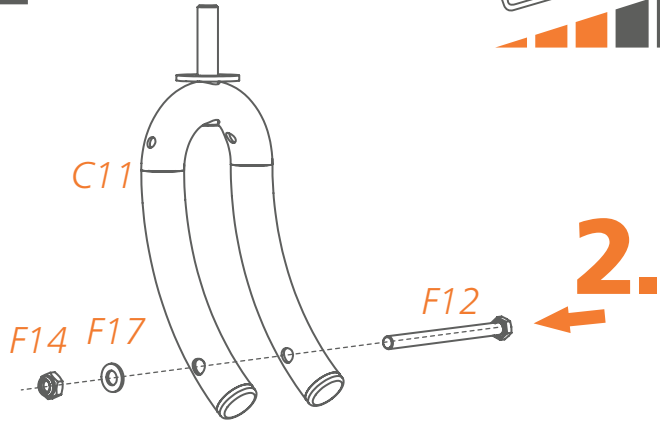
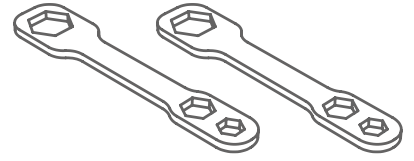
17. x2





18.

x2



F18 -
F19

F17

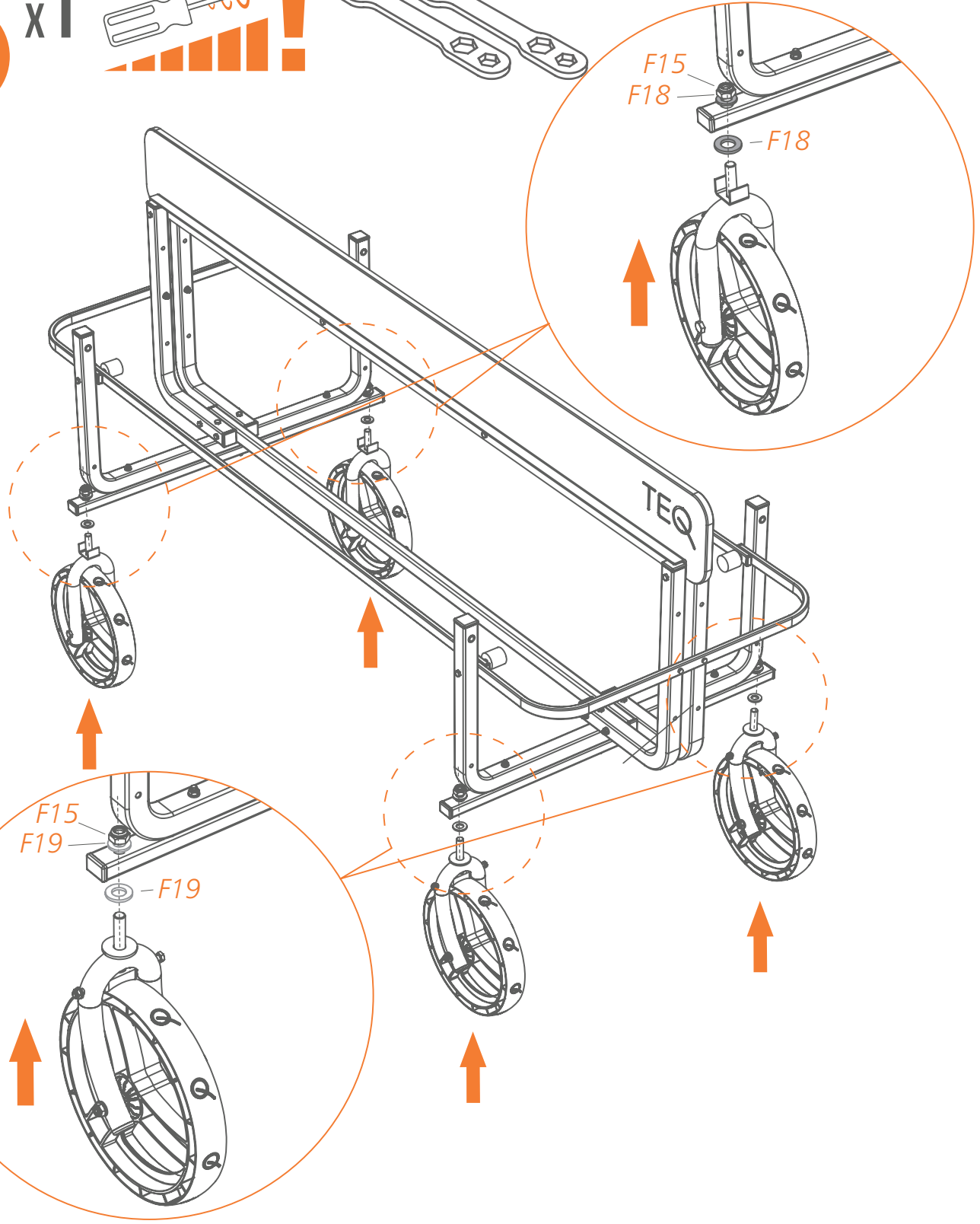
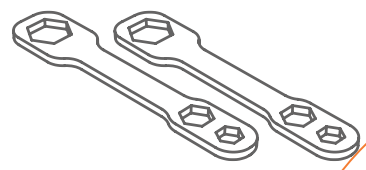
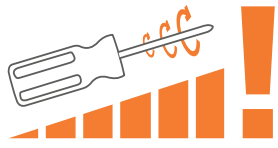
F10 -
F12

F16

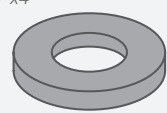
F1 -
F9

19.

x1



F18 x4



D12

F19 x4



D12

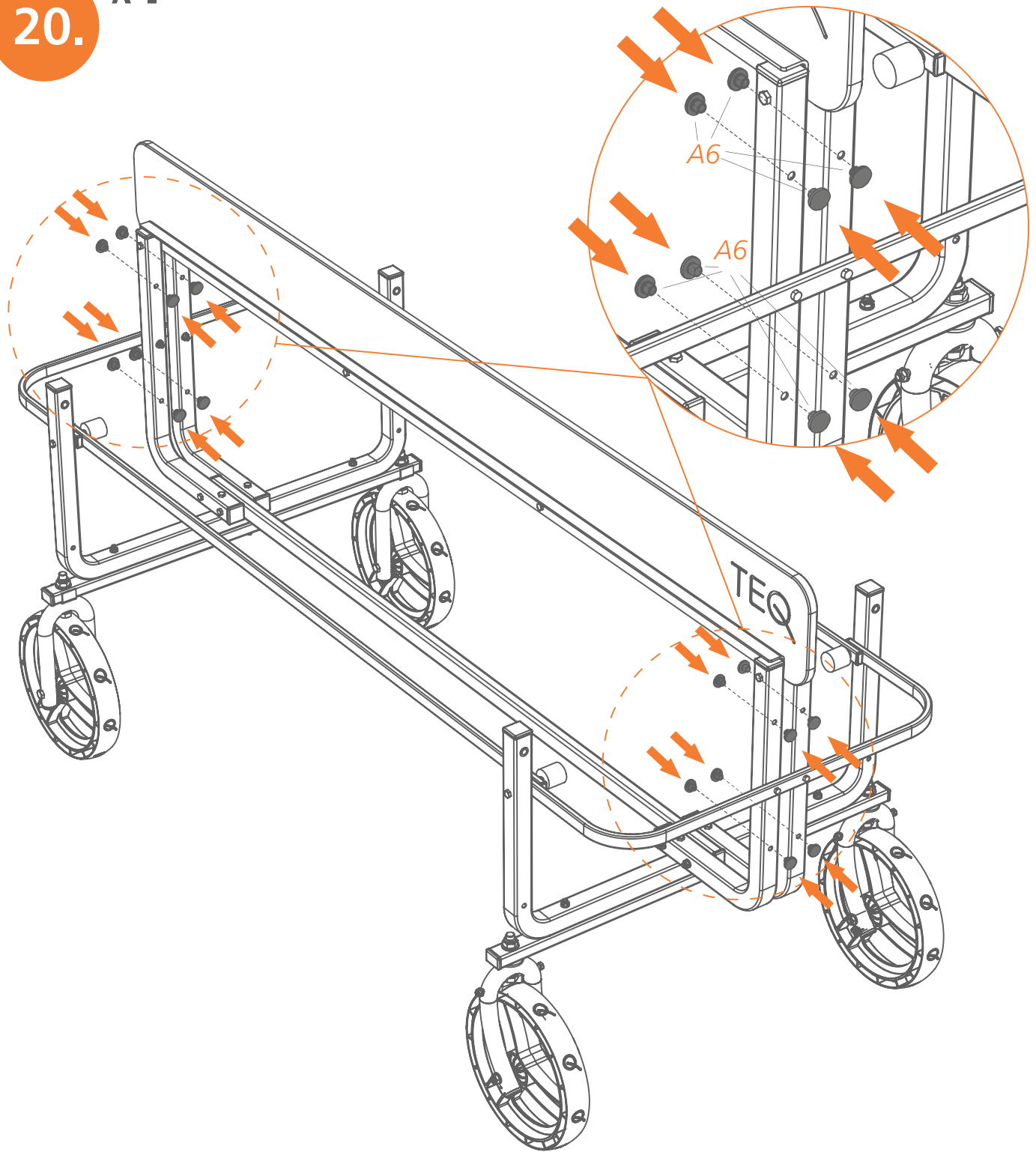
F15 x4



M12



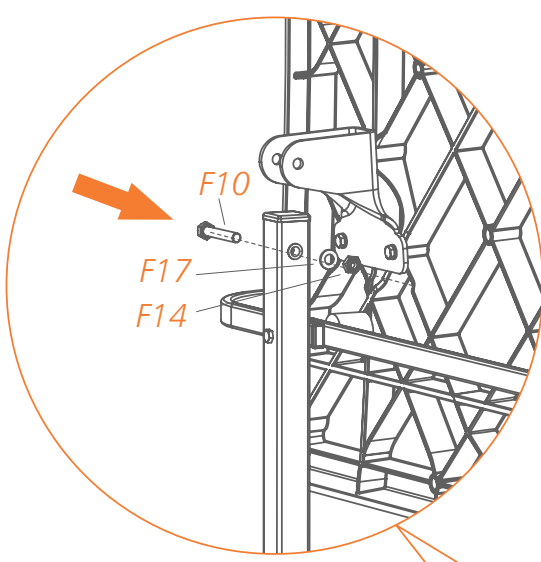
20. x1



A6 x16



21. x2

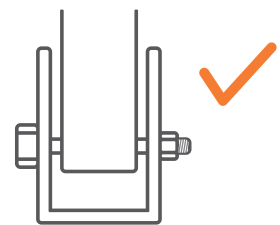
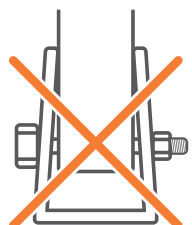
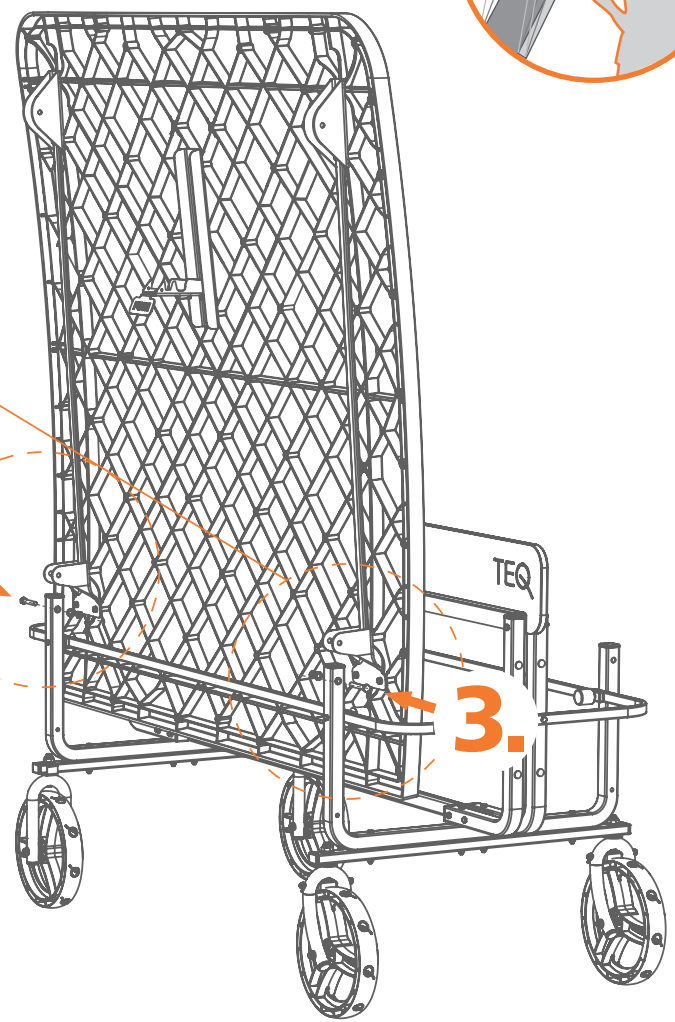


1. ↓



2. →

3. →



F17 x2



D8

F14 x2



M8

F10 x2

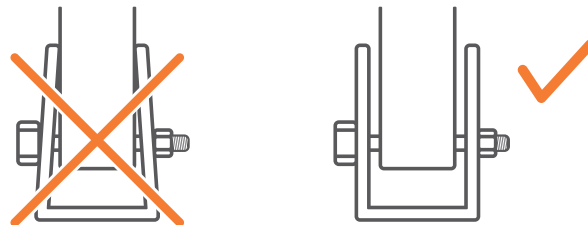
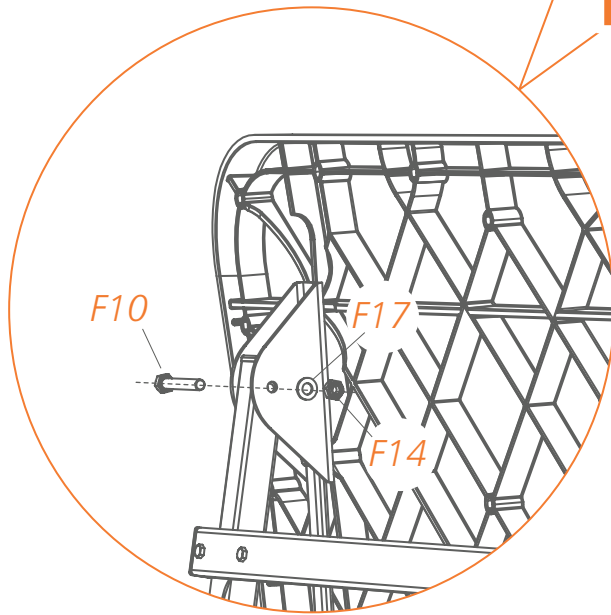
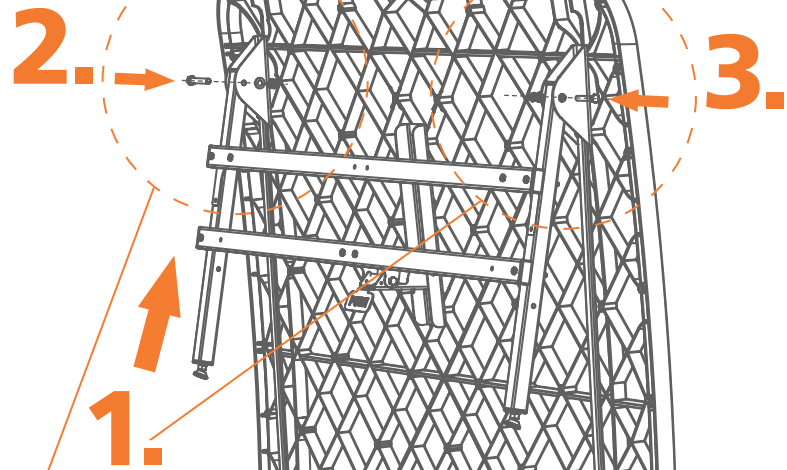


M8x55



22.

x2



F17 x4



D8

F14 x4



M8

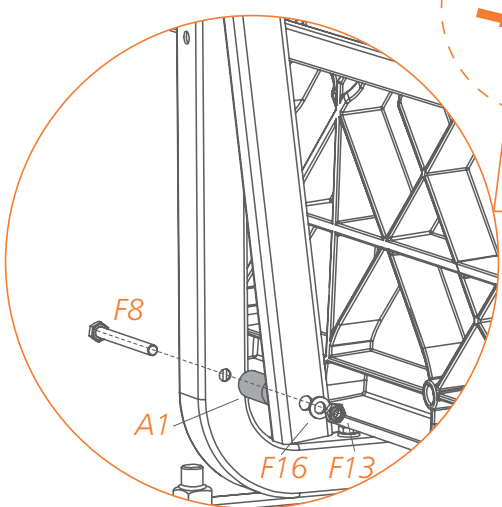
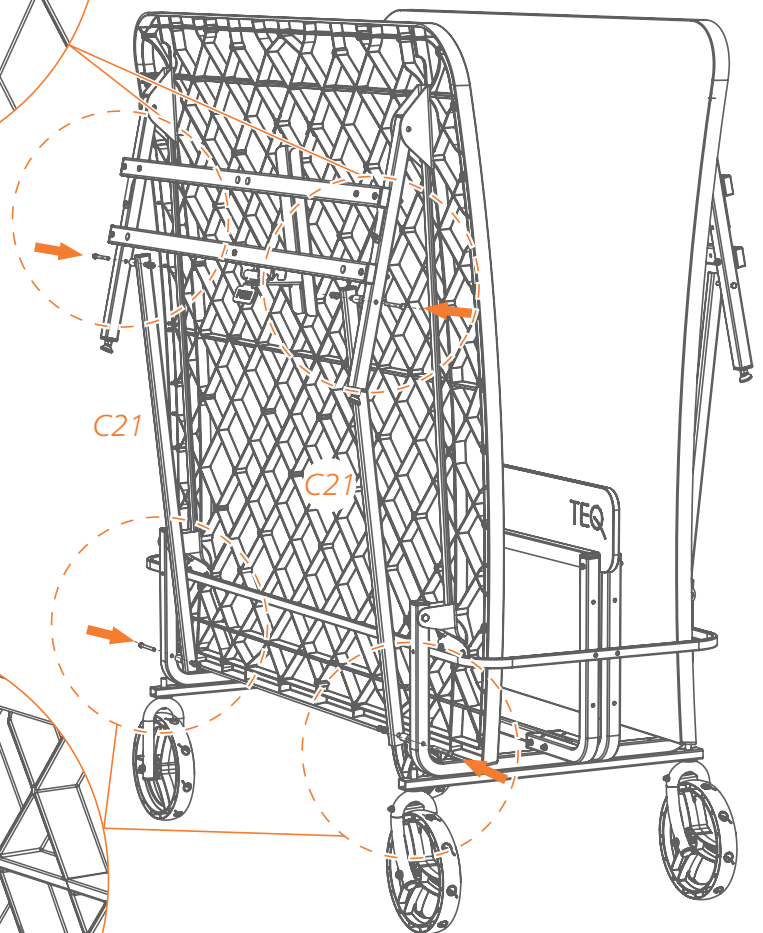
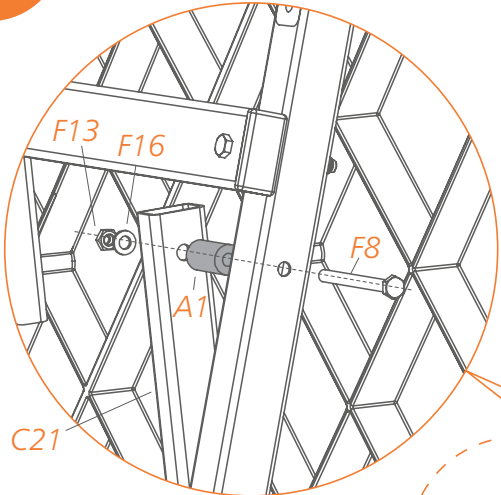
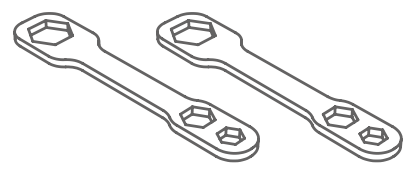
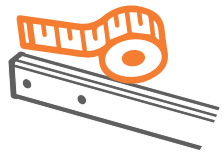
F10 x4



M8x55

23.

x2

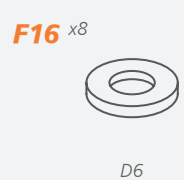


C21 x4

L=947mm

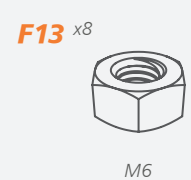


A1 x8



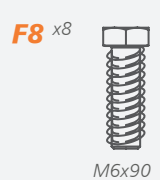
F16 x8

D6



F13 x8

M6



F8 x8

M6x90



F18 -
F19



F17



F10 -
F12



F16



F1 -
F9



**WORLD IS
CURVED**

LITE OWNER'S MANUAL

TEQ LITE