

Cornilleau

T O G E T H E R W E P L A Y



Table-Tennis-Tables.co.uk



850-W ITTF

technical sheet



850-W ITTF

CHIPBOARD
PLAYING SURFACE
WOOD
FRAME

25mm
▲ 2,2"
▼ 55mm

GREY BLUE



Where performance
meets style

RETRACTABLE NET
WITH ADJUSTABLE HEIGHT
AND TENSION

PERFECT
SPIN REPRODUCTION
SKILTOP finish

ADJUSTING FEET
FROM -1CM TO +5CM

LOCKING &
UNLOCKING SYSTEM
16 points - centralised

SPECIAL INDOOR
BALL BEARING WHEELS 125MM
+ BRAKES X4



USER COMFORT AND WHEELCHAIR ACCESSIBILITY

- Inclined frame on player's side
- Adjusted frame height and foot recess comply with the latest wheelchair access recommendations.



REDUCED STORAGE SPACE

- Compact Technology: maximum safety and minimum space requirements.
- When folded, compact tables can be interlocked to reduce the space taken up:
1 table = 69 cm.
Each additional table = 45 cm.

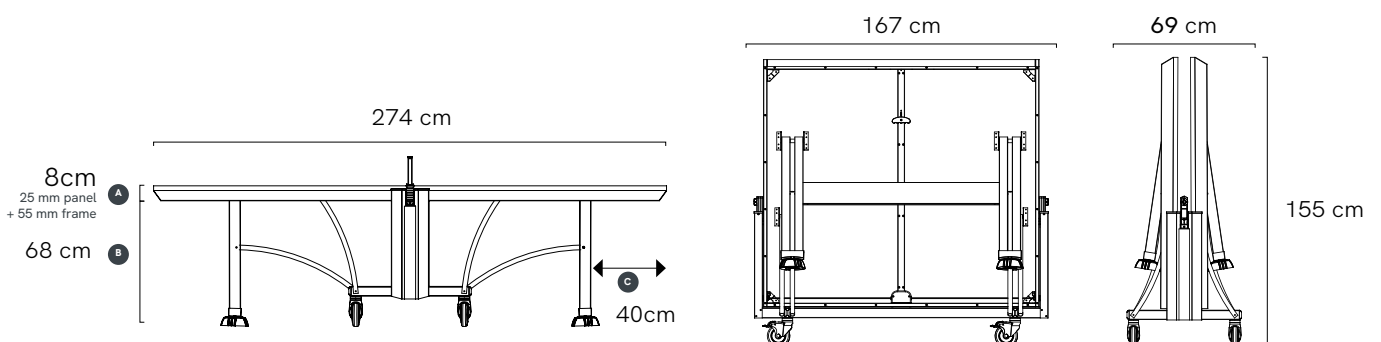


850-W

ITTF

Use	INDOOR COMPETITION
Colors of tops	118 606 ■ 118 605 ■
Playing surface	Chipboard 25mm
Coating	SKILTOP P-BALL READY
Frame height	55mm (2,2") / Wood (Angled frame player's end)
Locking system	DSI (16 points)
Compact Technology	yes
Leg type / dimensions	Wood 105 x 60mm (4 x 2")
Adjustable leg pad	Diam. 140mm (5.5")
Net type	Permanent & retractable
Adjustable nett	Tension - height
Wheel type	Ball bearing wheels Special indoor
Wheels (thickness x diameter)	35 x 125mm (1.5 x 5")
Brakes	4 brakes
Category (European Standards)	EN 14468 - CLASS A
Approval	ITTF High competition
Table weight	115 kg
Packaged weight	124 kg
Warranty	3 years 20 years repairable

Playing dimensions : 274 cm x 152,5 cm



850-W
ITTF 

The high-competition table that combines performance, accessibility, sturdiness and design

Developed to effectively meet the needs of all high-level players, the 850-W ITTF table is particularly well suited to wheelchair play. To ensure this, Cornilleau worked hand-in-hand with Maxime Thomas, a leading international player. The height of the frame and the positioning of the legs correspond to the recommendations of the current standard for wheelchair play. On the player's side, the frame is bevelled for optimum playing comfort, especially when playing short.





Solid wood enhance your playing experience

The solid wood frame and legs offer an unrivalled visual effect. This structure allows the 850-W ITTF table to better channel vibrations, delivering an incomparable sound.



Cornilleau Table-Tennis-Tables.co.uk

TOGETHER WE PLAY

Cornilleau

14 route nationale - 60120 Bonneuil-les-Eaux - Tel : + 33 (0)3 44 80 22 22
contact : export@cornilleau.fr - site web : www.cornilleau.com

Cornilleau America Inc.

6832 E Genesee st Fayetteville, NY 13066 - Tel : 678 - 257 - 4350
contact : support@cornilleau.com

Cornilleau UK

Unit 4 Lloyds Court Manor Royal Crawley West Sussex RH10 9QU
Tel:01293 243980 - contact : support.uk@cornilleau.com